

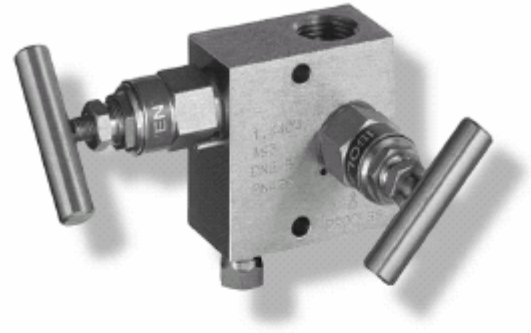
Manifolds 2, 3 or 5 ways **AMFD**

AMFD manifolds make it possible to close off, purge or isolate measurement pipework. They offer the opportunity to check pressure measuring instruments or transmitters by isolating them (e.g. for zero adjustment).

For all of our manifolds the heads can be changed without the need for special tools. The valve stem is fitted with a rear seat. Thus the pressure load on the gland packing is relieved when the stem is opened to its limit stop.

All of our manifolds are suitable for liquids and gases and are subjected to an overpressure strength test during manufacture (1.5 times the rated pressure).

- Isolation, purging and calibration of measuring instruments
- Rugged, all stainless design
- May be used on all types of installation for connecting and checking pressure gauges, pressure switches and relative, absolute or differential pressure transmitters



Technical specification (20°C)

Materials and connections :

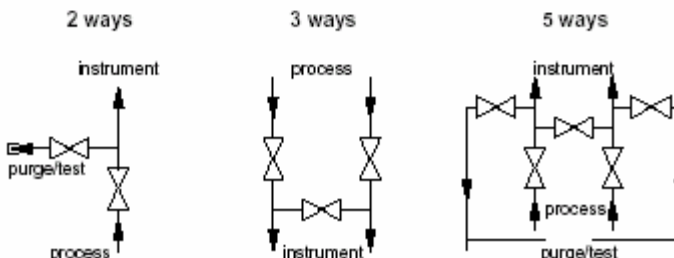
Manifold	Material	Connections		Reference
		Input/Output	Purge/Test	
2 ways	stainless steel	1/2 NPT female	1/4 NPT female with stopper	AMFD 02N
3 ways	stainless steel	1/2 NPT female	—	AMFD 03N
5 ways	stainless steel	1/2 NPT female	1/4 NPT female with stopper	AMFD 05N

Spare parts	Stainless steel ⁽¹⁾
Body	1.4404
Cap	1.4571
Needle	1.4571
Valve stem ⁽²⁾	1.4571
Packing	PTFE up to 200°C (special up to 400°C)
Valve stem nut	1.4301
Handle	stainless steel
Stopper (2 and 5 way only)	1.4404

(1) Also available in degreased version

(2) Also available with valve needle in KEL-F (PTFE) or Delrin (POM)

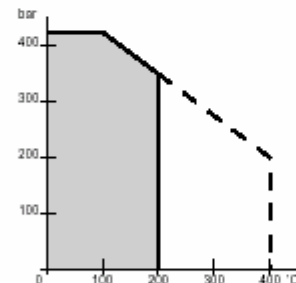
Simplified diagrams :



Valve stem :

- stem with male thread
- surface compressed under pressure, with rear seat and movable needle

Temperature diagram :



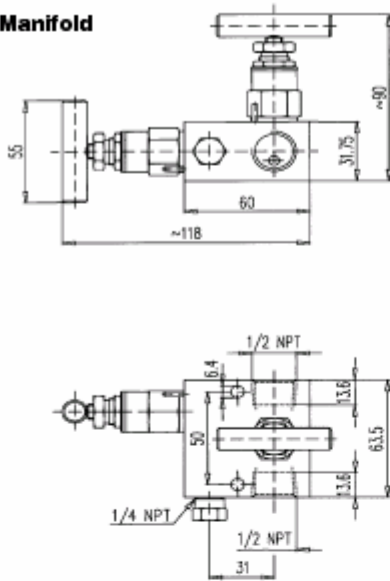
Uncoded options :

(to be listed after the code)

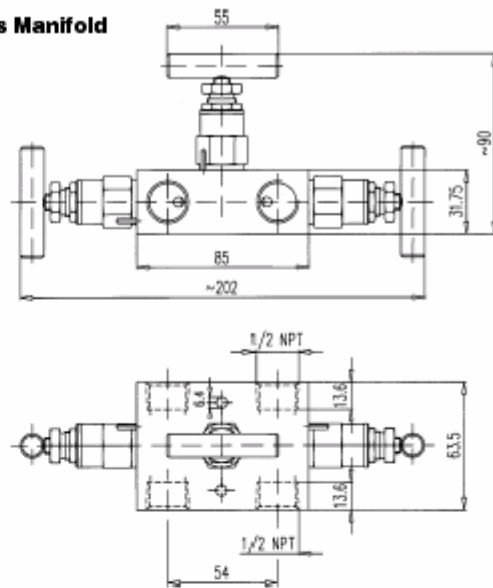
- Mounting kit on 2" stainless steel (1.4571) tube
- Manifolds can be supplied to the NACE standard
- Other versions: please refer to us

Dimensions (mm)

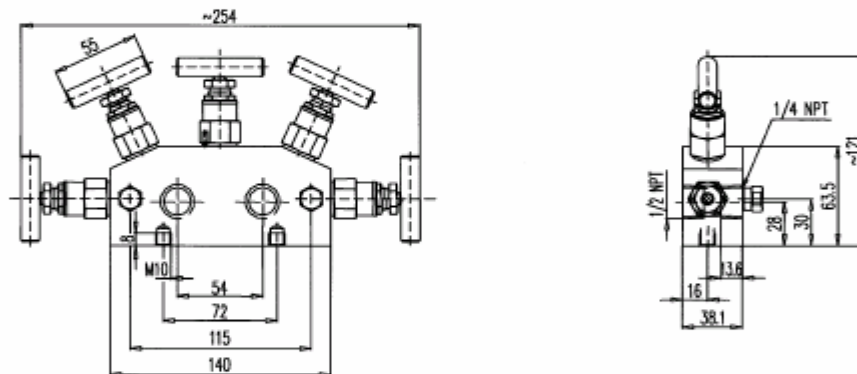
2 ways Manifold



3 ways Manifold



5 ways Manifold



Codification

A | M | F | D **| | | N** *

Family :
Accessories

A

Type :

Manifold _____ **MFD**

Operation :

2 ways _____ **02**
3 ways _____ **03**
5 ways _____ **05**

Inlet/Outlet thread :

1/2 NPT female _____ **N**

* Uncoded options have to be listed after the code