

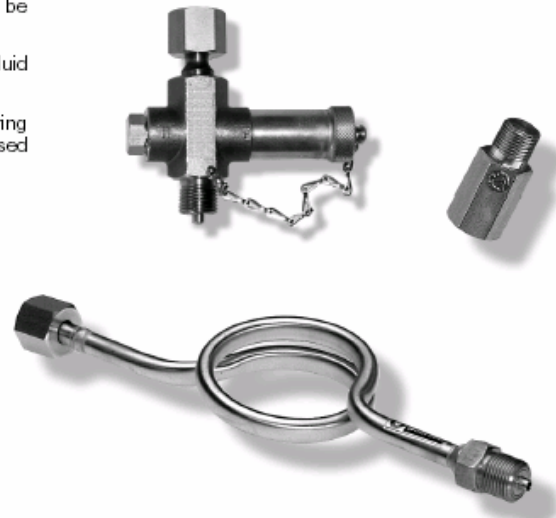


Dampers connectors **ARA**  
Siphons **ASIP**  
Intermediate connectors **ARIN**  
Capillaries **AKPL**  
Stub connectors **AEKT**

Damper connectors are used to protect pressure measurement instruments from ram effects and fluid pulses. They can be adjusted even during use.

Siphons are used to reduce an excessively high fluid temperature and are particularly recommended for steam.

Capillaries, minimum length 1 m, allow the measuring instrument to be moved away from a heat source and are used to cool the fluid and reduce pulses.



**Characteristics (20°C)**

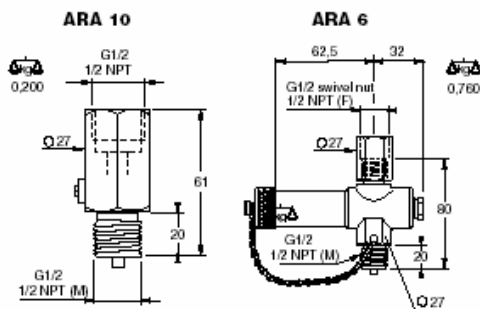
**ARA damper connectors**

	Material	Operating principle	Max pressure	Temperature	Connector on process side	Connector on instrument side
<b>ARA 10</b>	Unpolished brass	Needle valve	250 bar	120°C	G 1/2 or 1/2 NPT male	G 1/2 or 1/2 NPT female
	Polished steel		400 bar	120°C		
	Stainless steel		400 bar	120°C		
<b>ARA 6</b>	Stainless steel	Conical thread valve	600 bar	120°C	G 1/2 or 1/2 NPT male	G 1/2 swivel-nut or 1/2 NPT standard female
			400 bar	250°C		

In use, the ARA 6 has a greater operating adjustment range and can be used with manometers as well as with transducers.

The ARA 10 must be screwed down fully then slightly unscrewed (1/8 turn maximum) to adjust the damping. Its adjustment range is thus smaller than that of the ARA 6. It cannot be used with transducers.

**Dimensions (mm)**



**How to order an ARA**

The damper connector name (**ARA10, ARA6**) should be followed by the characteristics in the following order:

	Example
Material	Stainless steel
Connector measuring instrument side	G 1/2
Connector process side	G 1/2

30/01 - N° 300044 GB