



## Pipe Separator Series 1520 Connection SMS 1146

<b>Application</b>	Mounting to Bourdon tube pressure gauges or to pressure transmitters for indirect pressure measurement, specially designed to be connected to fittings used in the food industry. This connection system is also used in other industries.
<b>Execution</b>	The pipe separator is inseparably fixed with the pressure measuring instrument to a hydraulic measuring unit, either directly, via a cooling element or via a capillary tube of stainless steel.
<b>Type of construction</b>	Pipe separator with internal moulded diaphragm manufactured by the patented HAENNI procedure. All parts in stainless steel, welded.
<b>Connection</b>	Thread socket acc. to SMS 1146. For pipes or other fittings mounted to the separator, a liner connection according to SMS 1147 should be used, which is to be fixed to the round thread of the pipe separator by a union nut (SMS 1148) and a gasket (SMS 1149).
<b>Temperature of medium</b>	Up to 80°C (1/2 h up to 140°C), other temperature limits (up to 300°C) on request.
<b>Hydraulic transmission fluid</b>	Glycerine (standard), others on request.



### Selection chart

Type	Material <sup>1)</sup> of Separator body	Material <sup>1)</sup> of Separation element (tube diaphragm)	Material <sup>1)</sup> of Connecting muff (not in contact with the medium)	DN <sup>2)</sup>	Ordering code				
Pipe separator	stainless steel 1.4571	stainless steel 1.4404 / 1.4435	stainless steel 1.4435	25 (1")	1521				
				38 (1 1/2")	1523				
				51 (2")	1524				
				63,5 (2 1/2")	1525				
				76 (3")	1526				
Capillary tube 1.4571	Length [m]	0,5	1	1,5	2	2,5	3	3,5	
	Ordering code	1205	1210	1215	1220	1225	1230	1235	
Additional metallic protection hose for capillary tube									1299
Temperature of medium (e.g. 100 °C)									9007/0100
Ordering example: <b>0RO 100/411.133/075 / 1512 / 1220 / 1299 / 9007/0100</b>									

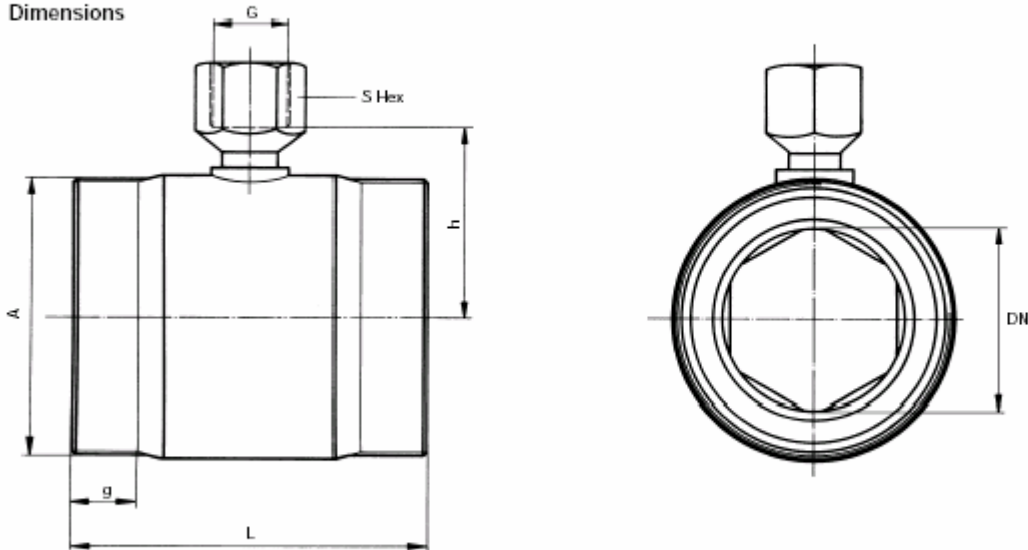
<sup>1)</sup> Other materials and diameters on request.

### Construction and Function

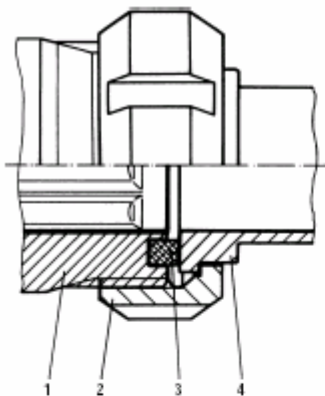
The separator body is produced from one piece. This construction guarantees absolute safety, even at higher pressures in the pipe system. Additionally acting forces and bending moments are mastered as far as permitted by the fittings used on site (union nut and pipe with liner and gasket). The tubular diaphragm, longitudinal in flow direction, is welded at both ends to the separator body and has a square-, hexagonal- or octangular profile (depending on DN). The pipe separator transmits the pressure of fluids flowing in pipes. Dead-zone-free transitions to the connection fittings and the optimal-flow design prevent the formation of deposits and make inline-sterilization possible without dismantling the separator from the pipe system. The separator shape does not cause considerable cross-section reduction.

## Pipe Separator Series 1520 Connection SMS 1146

### Dimensions



### Connection example



- 1 Separator body
- 2 Union nut <sup>1)</sup>
- 3 Gasket <sup>2)</sup>
- 4 Pipe with liner <sup>3)</sup>

### Dimension chart

DN	A	L [mm]	h [mm]	G	g [mm]	S [mm]	Weight [kg]	Inner shape
25 (1")	Rd 40 x 1/6	120	31	G 1/2	13	27	1,0	4-sided
38 (1 1/2")	Rd 60 x 1/6	120	41	G 1/2	18	27	2,0	6-sided
51 (2")	Rd 70 x 1/6	100	46	G 1/2	18	27	1,9	6-sided
63,5 (2 1/2")	Rd 85 x 1/6	100	54	G 1/2	22	27	2,5	8-sided
76 (3")	Rd 98 x 1/6	100	60	G 1/2	22	27	3,0	8-sided

### Pressure ranges (directive values)

Mounting to pressure gauge or pressure transmitter		NS 63	NS 80	NS 100	NS 160	ED 518
Pressure ranges [bar] with nominal size DN	25 (1")	<sup>2)</sup>	1.6...40	2.5...40	4...40	<sup>3)</sup>
	38 (1 1/2")		1.6...40	2.5...40	2.5...40	
	51 (2")		1.6...40	1.6...40	1.6...40	
	63,5 (2 1/2")	-	1.6...40	1.6...40	1.6...40	
	76 (3")	-	1.6...40	1.6...40	1.6...40	

<sup>1)</sup> Not included in delivery.

<sup>2)</sup> Only possible with transition piece G 1/4 inside / G 1/2 outside

<sup>3)</sup> On request: Electronic pressure transmitters can be used for pressures > 250 mbar without impairing the accuracy.

Please fill in page D1 201 so that we can properly assess your needs.