



Pipe Separator Series 1540 Sterile Screwed Connection ISO

Application	Mounting to Bourdon tube pressure gauges or to pressure transmitters for indirect pressure measurement, designed to be fitted to sterile screwed connections for pipes with ISO-dimensions in the pharmaceutical, chemical and food industry.
Execution	The pipe separator is inseparably fixed with the pressure measuring instrument to a hydraulic measuring unit, either directly, via a cooling element or via a capillary tube of stainless steel.
Type of construction	Pipe separator with internal moulded diaphragm, manufactured by the patented HAENNI procedure. All parts in stainless steel, welded.
Connection	Threaded stem. For pipes or other fittings mounted to the separator, a liner connection should be used, which is to be fixed to the separator by a union nut and an O-ring.
Temperature of medium	Up to 80°C (1/2 h up to 140°C), other temperature limits (up to 300°C) on request.
Hydraulic transmission fluid	Glycerine (standard), others on request.



Selection chart

Type	Material ¹⁾ of Separator body	Material ²⁾ of Separation element (tube diaphragm)	Material ³⁾ of Connecting muff (not in contact with the medium)	DN ⁴⁾	PN	Ordering code			
Pipe separator	stainless steel 1.4571	stainless steel 1.4435	stainless steel 1.4301	10	40	1547			
		stainless steel 1.4435	stainless steel 1.4301	15	40	1541			
		stainless steel 1.4435	stainless steel 1.4301	20	40	1545			
		stainless steel 1.4571	stainless steel 1.4435	25	40	1542			
		stainless steel 1.4571	stainless steel 1.4435	40	40	1543			
		stainless steel 1.4404 / 1.4435	stainless steel 1.4435	50	40	1544			
		stainless steel 1.4571	stainless steel 1.4435	80	40	1546			
Capillary tube 1.4571	Length [m]	0.5	1	1.5	2	2.5	3	3.5	
	Ordering code	1205	1210	1215	1220	1225	1230	1235	
Additional metallic protection hose for capillary tube									1299
Temperature of medium (e.g. 100°C)									9007/0100
Ordering example: DRO 100/811.133/075 / 1543 / 1210 / 1299 / 9007/0100									
<ul style="list-style-type: none"> ↑ Temperature of medium 100°C ↑ Metallic protection hose ↑ Capillary tube 1 m ↑ Separator ordering code ↑ Pressure gauge (see data-sheet D1.131) 									

¹⁾ Other materials and diameters on request.

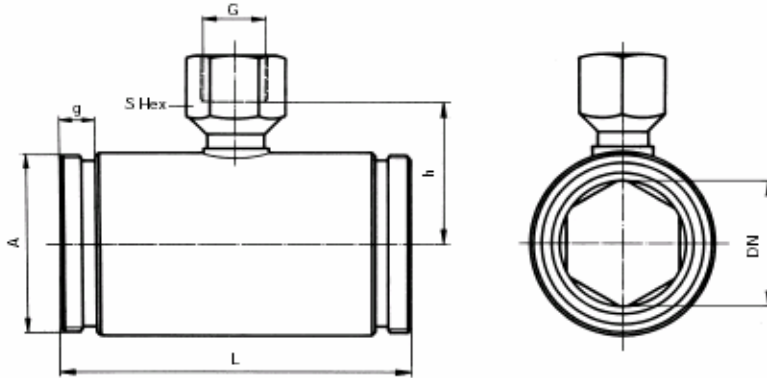
Construction and Function

The separator body is produced from one piece. This construction guarantees absolute safety, even at higher pressures in the pipe system. Additionally acting forces and bending moments are mastered as far as permitted by the fittings used on site (union nut and pipe with liner and gasket). The tubular diaphragm, longitudinal in flow direction, is welded at both ends to the separator body and has a square-, hexagonal- or octangular profile (depending on DN). The pipe separator transmits the pressure of fluids flowing in pipes. Dead-zone-free transitions to the connection fittings and the optimal-flow design prevent the formation of deposits and make inline-sterilization possible without dismounting of the separator from the pipe system. The separator shape does not cause considerable cross-section reduction.

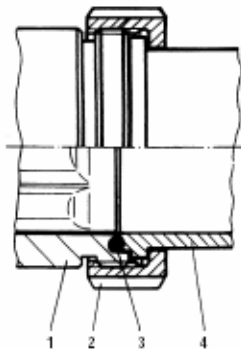


Pipe Separator Series 1540 Sterile Screwed Connection ISO

Dimensions



Connection example



- 1 Separator body
- 2 Union nut²⁾
- 3 O-ring³⁾
- 4 Pipe with suitable fitting²⁾

Dimension chart

DN	A	L [mm]	h [mm]	G	g [mm]	S [mm]	for tube	O-Ring	Weight [kg]	Inner shape
10	M22 x 1.5	140	13	G 1/4	12	round	13.5 x 1.6	10.5 x 2.5	0.5	4-sided
15	M30 x 2	130	26	G 1/4	12	17	21.3 x 1.6	18.5 x 3.0	0.6	4-sided
20	M36 x 2	120	30	G 1/4	12	17	26.9 x 2.0	25.0 x 3.0	0.8	4-sided
25	M42 x 2	120	33	G 1/2	12	27	33.7 x 2.0	30.0 x 3.0	0.9	6-sided
40	M56 x 2	110	39	G 1/2	14	27	48.3 x 2.0	45.0 x 3.0	1.3	6-sided
50	M68 x 2	100	45	G 1/2	14	27	60.3 x 2.6	55.0 x 3.0	1.6	6-sided
80	M100 x 3	100	61	G 1/2	18	27	88.9 x 2.6	84.0 x 4.0	2.9	8-sided

Pressure ranges (directive values)

Mounting to pressure gauge or pressure transmitter		NS 63	NS 80	NS 100	NS 160	ED 518
Pressure ranges [bar] with nominal size DN	10	6...60	16...60	25...60 ⁴⁾	-	³⁾
	15 ¹⁾	1.6...40	1.6...40	2.5...40	-	
	20 ¹⁾	1.6...40	1.6...40	2.5...40	-	
	25	1.6...40 ⁴⁾	1.6...40	2.5...40	-	
	40	1.6...40 ⁴⁾	1.6...40	1.6...40	2.5...40	
	50	1.6...40 ⁴⁾	1.6...40	1.6...40	1.6...40	
	80	1.6...40 ⁴⁾	1.6...40	1.6...40	1.6...40	

¹⁾ Only instruments with stainless steel connection.

²⁾ Not included in delivery.

³⁾ On request: Electronic pressure transmitters can be used for pressures > 250 mbar without impairing the accuracy.

Please fill in page D1 201 so that we can properly assess your needs.

⁴⁾ Only possible with transition piece G1/4 inside / G 1/2 outside.

⁵⁾ Preferably use NS 63 or ED 518.