



## Pipe Separator Series 1620 Clamp-connection ISO 2852

<b>Application</b>	Mounting to Bourdon tube pressure gauges or to pressure transmitters for indirect pressure measurement, to be connected to fittings mainly used in the pharmaceutical and food industry. Moreover, this connection system is also used in other industries.
<b>Execution</b>	The pipe separator is inseparably fixed with the pressure measuring instrument to a hydraulic measuring unit, either directly, via a cooling element or via a capillary tube of stainless steel.
<b>Type of construction</b>	Pipe separator with internal moulded diaphragm, manufactured by the patented HAENNI procedure. All parts in stainless steel, welded. This model identified by the 3A-Symbol is accepted as meeting the 3A sanitary standards. <sup>1)</sup>
<b>Connection</b>	Clamp-connection acc. to ISO 2852 (commercially equivalent to DN 3/4").
<b>Temperature of medium</b>	Up to 80°C (1/2 h up to 140°C), other temperature limits (up to 300°C) on request.
<b>Special finishes</b>	Electro-polished or F.E.P. coated, available on request
<b>Hydraulic transmission fluid</b>	Glycerine (standard), others on request.



### Selection chart

Type	Material <sup>2)</sup> of Separator body	Material <sup>2)</sup> of Separation element (tube diaphragm)	Material <sup>2)</sup> of Connecting muff (not in contact with the medium)	DN <sup>2)</sup>	Ordering code				
Pipe separator	stainless steel 1.4435	stainless steel 1.4435	stainless steel 1.4301	1/2"	1627				
		stainless steel 1.4435	stainless steel 1.4301	3/4"	1621				
		stainless steel 1.4435	stainless steel 1.4435	1"	1622				
		stainless steel 1.4404 / 1.4435	stainless steel 1.4435	1 1/2"	1623				
		stainless steel 1.4404 / 1.4435	stainless steel 1.4435	2"	1624				
		stainless steel 1.4404 / 1.4435	stainless steel 1.4435	2 1/2"	1625				
		stainless steel 1.4404 / 1.4435	stainless steel 1.4435	3"	1626				
Capillary tube 1.4571	Length [m]	0.5	1	1.5	2	2.5	3	3.5	
	Ordering code	1205	1210	1215	1220	1225	1230	1235	
Additional metallic protection hose for capillary tube									1299
Temperature of medium (e.g. 100 °C)									9007/0100
Ordering example: <b>DRC 100/611.133/075</b> / <b>1624</b> / <b>9007/0100</b>									

<sup>1)</sup> The 3A symbol indicates certification by the American FDA (Food and Drug Association) in the food technology area.

<sup>2)</sup> Other materials and diameters on request.

### Construction and Function

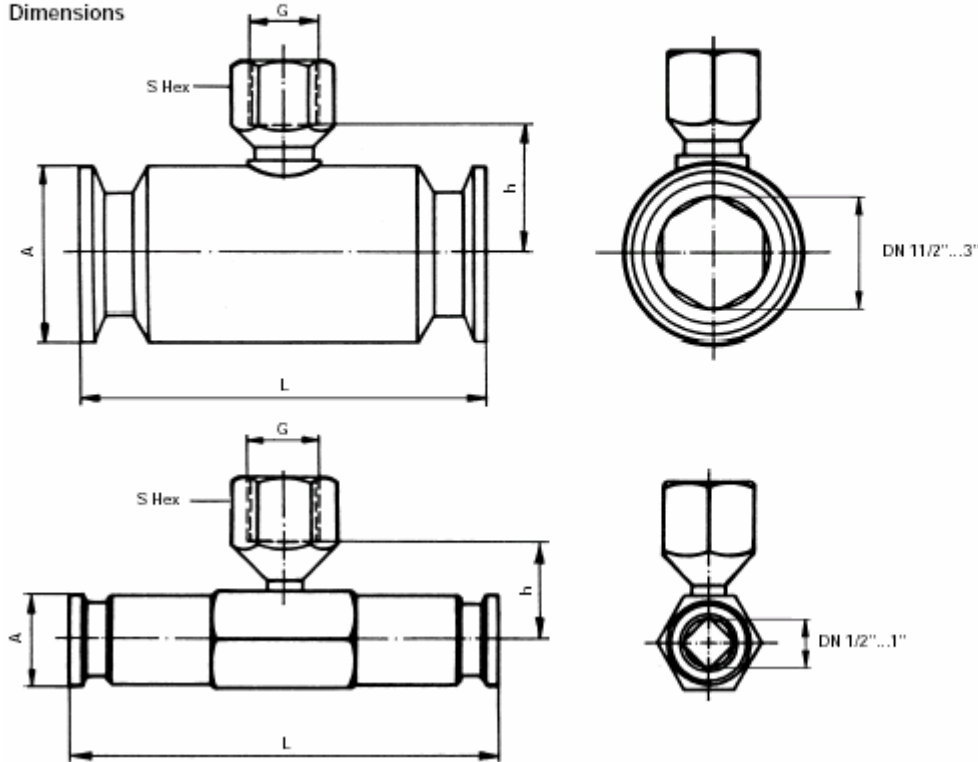
The separator body is produced from one piece. This construction guarantees absolute safety, even at higher pressures in the pipe system. Additionally acting forces and bending moments are mastered as far as permitted by the fittings used on site (clamp and pipe with appropriate endings and gaskets). The tubular diaphragm, longitudinal in flow direction, is welded at both ends to the separator body and has a square-, hexagonal- or octangular profile (depending on DN). The pipe separator transmits the pressure of fluids flowing in pipes. Dead-zone-free transitions to the connection fittings and the optimal-flow design prevent the formation of deposits and make inline-sterilization possible without dismantling the separator from the pipe system. The separator shape does not cause considerable cross-section reduction.



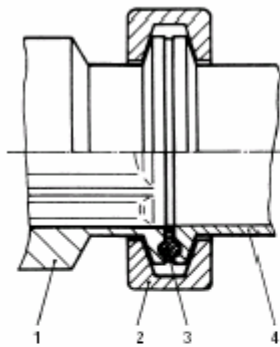
# Pipe Separator Series 1620 Clamp-connection ISO 2852



## Dimensions



## Connection example



- 1 Separator body
- 2 Clamp <sup>1)</sup>
- 3 Gasket <sup>1)</sup>
- 4 Pipe with suitable fitting <sup>2)</sup>

## Dimension chart

DN	A [mm]	L [mm]	h [mm]	G	S [mm]	Weight [kg]	Inner shape
1/2"	25	140	27	G 1/2	27	0,5	4-sided
3/4"	25	120	24	G 1/4	17	0,5	4-sided
3/4"	25	120	27	G 1/2	27	0,5	4-sided
1"	50,5	120	36	G 1/2	27	1,6	4-sided
1 1/2"	50,5	120	36	G 1/2	27	1,2	6-sided
2"	64	100	45	G 1/2	27	1,3	6-sided
2 1/2"	77,5	100	52	G 1/2	27	1,6	8-sided
3"	91	100	58	G 1/2	27	2,0	8-sided

## Pressure ranges (directive values)

Mounting to pressure gauge or pressure transmitter		NS 63	NS 80	NS 100	NS 160	ED 518
Pressure ranges [bar] with nominal size DN	1/2"	6...60	16...60	25...60 <sup>4)</sup>	-	<sup>3)</sup>
	3/4"	1,6...60	1,6...60	2,5...60	-	
	3/4"	1,6...60	1,6...60	2,5...60	-	
	1"	1,6...60	1,6...40	1,6...40	2,5...40	
	1 1/2"	1,6...60	1,6...40	1,6...40	2,5...40	
	2"	1,6...60	1,6...40	1,6...40	1,6...40	
	2 1/2"	1,6...60 <sup>2)</sup>	1,6...40	1,6...40	1,6...40	
	3"	1,6...60 <sup>2)</sup>	1,6...40	1,6...40	1,6...40	

<sup>1)</sup> Not included in delivery.

<sup>2)</sup> Only possible with transition piece G 1/4 inside / G 1/2 outside.

<sup>3)</sup> On request: Electronic pressure gauges can be used for pressures > 250 mbar without impairing the accuracy. Please fill in page D1.201 so that we can properly assess your needs.

<sup>4)</sup> Preferably use NS 63 or NS 80 resp. ED 518.