



Pipe Separator Series 1680

Connection Compression Fitting with Ferrule acc. to DIN 2353 Type L

Application	Mounting to Bourdon tube pressure gauges or to pressure transmitters for indirect pressure measurement, to be fitted to pipes with ferrule and union nut in the chemical and process industry.
Execution	The pipe separator is inseparably fixed with the pressure measuring instrument to a hydraulic measuring unit, either directly, via a cooling element or via a capillary tube of stainless steel.
Type of construction	Pipe separator with internal moulded diaphragm, manufactured by the patented HAENNI procedure. All parts in stainless steel, welded.
Connection	For pipes with ferrule acc. to DIN 3861 and union nut acc. to form A DIN 3870.
Temperature of medium	Up to 80°C (1/2 h up to 140°C), other temperature limits (up to 300°C) on request.
Hydraulic transmission fluid	Glysantine (standard), others on request.



Selection chart

Type	Material ¹⁾ of Separator body	Material ²⁾ of Separation element (tube diaphragm)				Material ¹⁾ of Connecting muff (not in contact with the medium)				Pipe ¹⁾ Outside diameter [mm]	PN	Ordering code
Pipe separator	stainless steel 1.4571	stainless steel 1.4435	stainless steel 1.4301	stainless steel 1.4301	stainless steel 1.4301	stainless steel 1.4301	stainless steel 1.4301	stainless steel 1.4301	stainless steel 1.4301	12	250	1683
		stainless steel 1.4435								18	160	1685
		stainless steel 1.4404 / 1.4435								22	160	1686
		stainless steel 1.4435								28	100	1687
		stainless steel 1.4571								35	100	1688
		stainless steel 1.4404 / 1.4435								42	100	1689
Capillary tube 1.4571	Length [m]	0.5	1	1.5	2	2.5	3	3.5				
	Ordering code	1205	1210	1215	1220	1225	1230	1235				
Additional metallic protection hose for capillary tube											1299	
Temperature of medium (e.g. 100°C)											9007/0100	
Ordering example: DRC 100/811.133/0.75 / 1683 / 1210 / 1299 / 9007/0100												

¹⁾Other materials and diameters on request.

Construction and Function

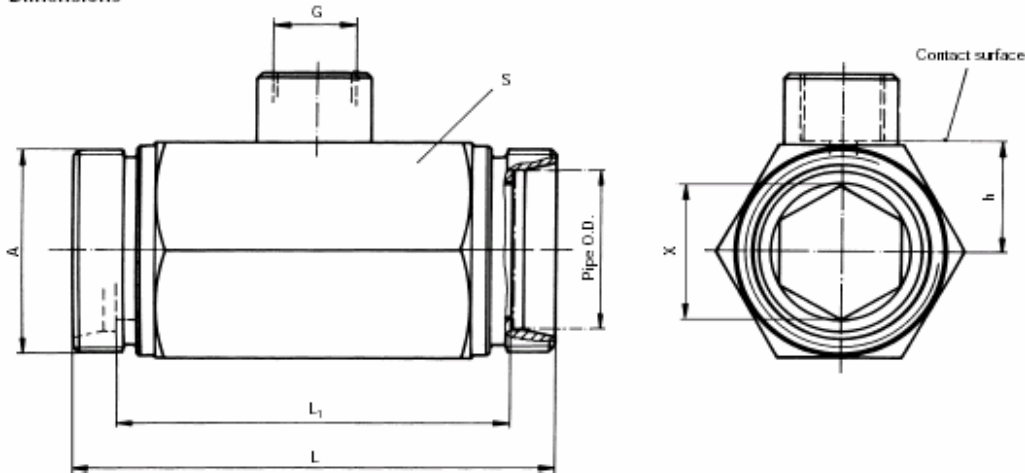
The separator body is produced from one piece. This construction guarantees absolute safety even at higher pressures in the pipe system. The maximum permitted pressure is limited by the compression fitting parts mounted by the user on site. The tubular diaphragm, longitudinal in flow direction, is welded at both ends to the separator body and has a square- or hexagonal profile (depending on pipe DN). The pipe separator transmits the pressure of fluids flowing in pipes. Dead-zone-free transitions to the connection fittings and the optimal-flow design prevent the formation of deposits and make cleaning possible without dismantling the separator from the pipe system. The interior shape does not cause considerable cross-section reduction.



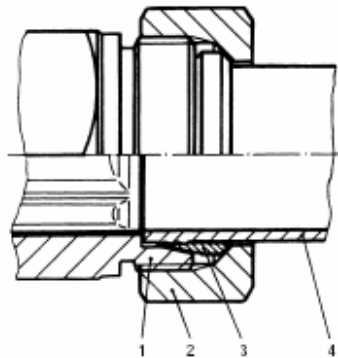
Pipe Separator Series 1680

Connection Compression Fitting with Ferrule acc. to DIN 2353 Type L

Dimensions



Connection example



- 1 Separator body
- 2 Union nut form A acc. to DIN 3870 ¹⁾
- 3 Ferrule acc. to DIN 3861 ¹⁾
- 4 Connected pipe ¹⁾

Dimension chart

Pipe outside diameter [mm]	A	L [mm]	L ₁ [mm]	G	S [mm]	h [mm]	Weight [kg] ¹⁾	Inner shape	X [mm]
12	M18 x 1.5	150	136	G 1/4	27	13.5	0.7	4-sided	10
18	M26 x 1.5	135	120	G 1/4	27	13.5	0.5	4-sided	15.5
22	M30 x 2	130	115	G 1/2	32	16	0.8	4-sided	19
28	M36 x 2	120	105	G 1/2	41	20.5	1.0	4-sided	22.5
35	M45 x 2	120	99	G 1/2	46	23	1.1	6-sided	29
42	M52 x 2	120	98	G 1/2	55	27.5	1.5	6-sided	35

Pressure ranges (directive values)

Mounting to pressure gauge or pressure transmitter	NS 63	NS 80	NS 100	ED 518
Pressure ranges [bar] with pipe O.D.	6...250	6...250	16...250	³⁾
18	4...160	4...250	10...160	
22	2.5...160 ²⁾	2.5...160	6...100	
28	1.6...100 ²⁾	1.6...100	4...100	
35	1.6...100 ²⁾	1.6...100	4...100	
42	1.6...100 ²⁾	2.5...100	4...100	

¹⁾ Not included in delivery.

²⁾ Only possible with transition piece G 1/4 inside / G 1/2 outside.

³⁾ On request: Electronic pressure transmitters can be used for pressures > 250 mbar without impairing the accuracy. Please fill in page D1 201 so that we can properly assess your needs.