

D050 - D051 - D052 D053 - D054

Separators with threaded connections and flush diaphragms are designed to measure relative pressures in the range 1 to 600 bar. They are particularly suitable for corrosive, heavily loaded or viscous fluids which might damage or clog the process connection of the measuring instrument. These separators may be used where space is limited or for quick assembly.

If the measuring instrument is damaged, the separator diaphragm will prevent the system leaking.

- All stainless steel flush diaphragm separator
- Small size



Technical specifications (20°C)

Compatibility table with pressure gauges

Pressure gauges	Ø 50-63 mm			Ø 80-100-150-160 mm		
	Fluid T (°C) Ambient T (°C)	Fluid T (°C) Ambient T (°C)	Fluid T (°C) Ambient T (°C)	Fluid T (°C) Ambient T (°C)	Fluid T (°C) Ambient T (°C)	Fluid T (°C) Ambient T (°C)
D050 (1/2") P Max 600 bar	-20° ≤ T ≤ 100° -10° ≤ T ≤ 50°	-40° ≤ T ≤ 150° -30° ≤ T ≤ 70°	-60° ≤ T ≤ 200° -40° ≤ T ≤ 80°	-20° ≤ T ≤ 100° -10° ≤ T ≤ 50°	-40° ≤ T ≤ 150° -30° ≤ T ≤ 70°	-60° ≤ T ≤ 200° -40° ≤ T ≤ 80°
D051 (3/4") P Max 600 bar	MR ≥ 0 +100 bar	MR ≥ 0 +160 bar	MR ≥ 0 +160 bar	MR ≥ 0 +250 bar	MR ≥ 0 +400 bar	-
D052 (1") P Max 250 bar	MR ≥ 0 +40 bar	MR ≥ 0 +60 bar	MR ≥ 0 +60 bar	MR ≥ 0 +100 bar	MR ≥ 0 +100 bar	MR ≥ 0 +160 bar
D053 (1 1/2") P Max 160 bar	MR ≥ 0 +10 bar	MR ≥ 0 +16 bar	MR ≥ 0 +25 bar	MR ≥ 0 +25 bar	MR ≥ 0 +40 bar	MR ≥ 0 +40 bar
D054 (2") P Max 40 bar	MR ≥ 0 +1.6 bar MR ≥ -1 +3 bar	MR ≥ 0 +2.5 bar MR ≥ -1 +3 bar	MR ≥ 0 +2.5 bar MR ≥ -1 +3 bar	MR ≥ 0 +4 bar MR ≥ -1 +5 bar	MR ≥ 0 +4 bar MR ≥ -1 +5 bar	MR ≥ 0 +6 bar MR ≥ -1 +9 bar
	MR ≥ 0 +1 bar MR ≥ -1 +0 bar	MR ≥ 0 +1 bar MR ≥ -1 +0 bar	MR ≥ 0 +1 bar MR ≥ -1 +0 bar	MR ≥ 0 +1 bar MR ≥ -1 +0 bar	MR ≥ 0 +1 bar MR ≥ -1 +0 bar	MR ≥ 0 +1.6 bar MR ≥ -1 +1.5 bar

NB: the maximum pressure (Max P) depends on a good seal: a gasket must be fitted in a suitable seating (gasket not supplied)

Material:

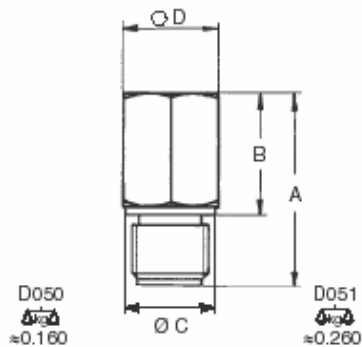
Connector: 1.4404 (316L)
Diaphragm: 1.4404 (316L)

Fluid temperature (°C)	Liquid filling
-20 °C à +150°C	LRS1
-60 °C à +150°C	LRS2
-20 °C à +200°C	LRS3

Dimensions (mm)

D050, D051

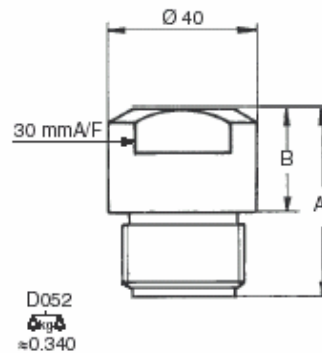
Separator	Tapped	Threaded
D050 01	G 1/2	G 1/2
D050 02	G 1/2	1/2 NPT
D050 03	G 1/4	G 1/2
D050 04	G 1/4	1/2 NPT
D051 01	G 1/2	G 3/4
D051 02	G 1/2	3/4 NPT
D051 03	G 1/4	G 3/4



Dimensions	A	B	Ø C	D
D050 01	53	32	26	27
D050 02	51	32	26	27
D050 03	46	25	26	27
D050 04	44	25	26	27
D051 01	55	32	30	32
D051 02	53	32	30	32
D051 03	45.5	22.5	30	32

D052

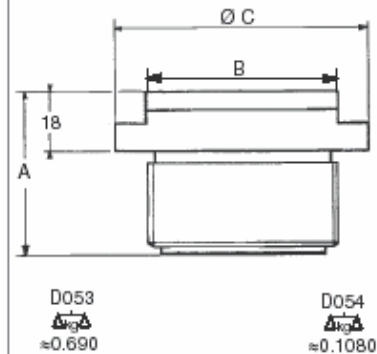
Separator	Tapped	Threaded
D052 01	G 1/2	G 1
D052 02	G 1/2	1 NPT



Dimensions	A	B
D052 01	51	28
D052 02	56	28

D053, D054

Separator	Tapped	Threaded
D053 01	G 1/2	G 1 1/2
D053 02	G 1/2	1 1/2 NPT
D054 01	G 1/2	G 2
D054 02	G 1/2	2 NPT



Dimensions	A	B	Ø C
D053 01	48	46	60
D053 02	48	46	60
D054 01	49	54	70
D054 02	49	54	70

Codification

D 0 5 | | | |

Family:
Separator

D

Diaphragm diameter:

DN 1/2" _____ 0
 DN 3/4" _____ 1
 DN 1" _____ 2
 DN 1 1/2" _____ 3
 DN 2" _____ 4

Threads:

See tapping/threading table
above

XX

Modifications reserved