



Specific chemical seal:
 process type: **D801 to D804**
 with built-in flange: **D820 to D823**
 with extension: **D850 to D851**
 mounting on pipe: **D29402**

D801 to D804, D820 to D823, D850 to D851 series are designed for the measurement of gauge pressure between 160 mbar (400 mbar for 29402) and 250 bar (50 bar for D850-85) and of absolute pressure of corrosive fluids within the temperature range of between -60°C to 200°C (-20°C to 100°C for low pressure).



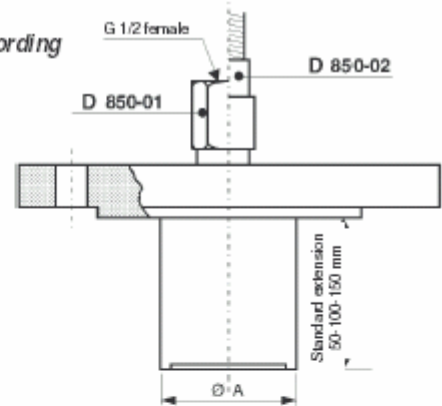
Type of assembly

Flange and extension: stainless steel 1.4404 (AISI 316 L).
 Diaphragm: stainless steel 1.4404 (AISI 316 L), Hastelloy C276, Uranus B6, Hastelloy B, Tantalium, Nickel

**D850 : according to
to ISO standard**

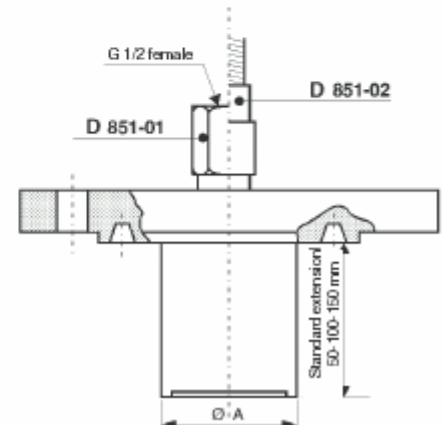
DN	PN	Range	DN	Class	Range	Ø A
50	16 to 40	4 to 40 bar -1 + 9 to -1 + 24	2"	150 to 300	4 to 50 -1 + 9 to -1 + 24	48,3
80	16 to 40	0,4 to 40 bar -1 + 3 to -1 + 24	3"	150 to 300	0,4 to 50 -1 + 3 to -1 + 24	76,1
100	16 to 40	160 mbar to 40 bar 0 to -1 bar, P.absolute	4"	150 to 300	160 mbar to 50 bar 0 to -1, P.absolute	94

**D850, raised face, according
to ANSI standard**



**DE 851 : chemical seal with extension,
ring joint face RTJ according to ANSI standard**

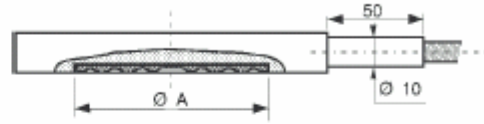
DN	Class	Range	Ø A
2"	300	4 to 50 bar -1 + 9 to -1 + 24 bar	48,3
3"	150 to 300	0,4 to 50 bar -1 + 3 to -1 + 24 bar	76,1
4"	150 to 300	160 mbar to 50 bar 0 to -1 bar, P. absolute	94



According to ISO / DIN standard

D801 : Process type chemical seal, flat face DIN 2501

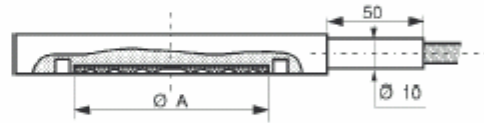
Index	DN	PN	Range	Ø A
01	50	16 to 400	0.6 to 400 bar -1 +3 to -1 +24 bar	54
02	80	16 to 400	160 mbar to 400 bar 0 to -1 bar, P. absolute	89
03	100	16 to 400	160 mbar to 400 bar 0 to -1 bar, P. absolute	89



Material : stainless steel 1.4404 (AISI 316L),
Hastelloy C276, Uranus B6, Hastelloy B,
Tantalum, Nickel

D802 : process type chemical seal, female groove DIN 2512

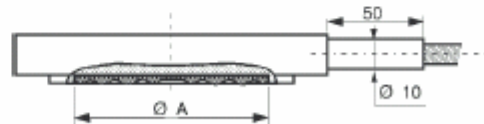
Index	DN	PN	Range	Ø A
01	50	16 to 160	0.6 to 160 bar -1 +3 to -1 +24 bar	54
02	80	16 to 160	160 mbar to 160 bar 0 to -1 bar, P. absolute	89
03	100	16 to 160	160 mbar to 160 bar 0 to -1 bar, P. absolute	89



Material : stainless steel 1.4404 (AISI 316L),
Hastelloy C276, Uranus B6, Hastelloy B,
Tantalum, Nickel

D803 : process type chemical seal, male spigot DIN 2513

Index	DN	PN	Range	Ø A
01	50	16 to 100	0.6 to 100 bar -1 +3 to -1 +24 bar	54
02	80	16 to 100	160 mbar to 100 bar 0 to -1 bar, P. absolute	89
03	100	16 to 100	160 mbar to 100 bar 0 to -1 bar, P. absolute	89

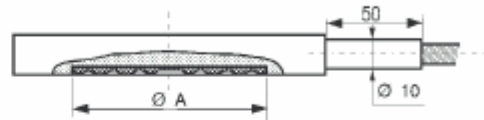


Material : stainless steel 1.4404 (AISI 316L),
Hastelloy C276, Uranus B6, Hastelloy B,
Tantalum, Nickel

According to ANSI standard

D801 : process type chemical seal, flat face FF

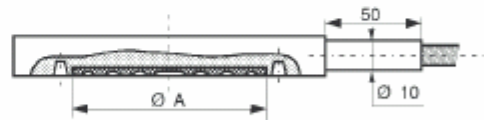
Index	DN	Class	Range	Ø A
11	2"	150	0.6 / 20 bar	54
12	2"	300 to 2500	0.6 / 420 bar	54
13	3"	150	160 mbar / 20 bar	89
14	3"	300 to 2500	160 mbar / 420 bar	89
15	4"	150 to 2500	160 mbar / 420 bar	89



Material : stainless steel 1.4404 (AISI 316L),
Hastelloy C276, Uranus B6, Hastelloy B,
Tantalum, Nickel

D804 : process type chemical seal, ring joint face RTJ

Index	DN	Class	Range	Ø A
01	2"	150	0.6 to 20 bar	54
02	2"	300 to 600	0.6 to 100 bar	54
03	2"	900 to 1500	0.6 to 250 bar	54
04	2"	2500	0.6 to 420 bar	54
05	3"	150	160 mbar to 20 bar	89
06	3"	300 to 600	160 mbar to 100 bar	89
07	3"	900	160 mbar to 150 bar	89
08	3"	1500	160 mbar to 250 bar	89
09	3"	2500	160 mbar to 420 bar	89



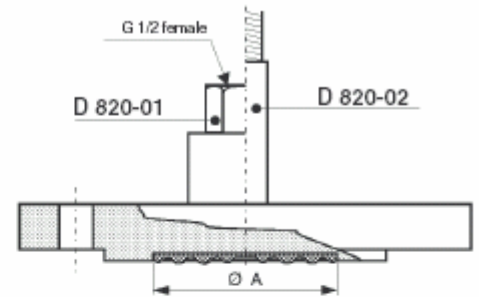
Material : stainless steel 1.4404 (AISI 316L),
Hastelloy C276, Uranus B6, Hastelloy B,
Tantalum, Nickel

According to ISO/DIN standard

D820 : chemical seal with built-in flange, raised face DIN 2501

DN	PN	Range	Ø A
50	16 to 250	0.6 to 250 bar -1 +3 to -1 +24 bar	54
80	16 to 250	160 mbar to 250 bar 0 to -1 bar and P. absolute	89
100	16 to 250	160 mbar to 250 bar 0 to -1 bar and P. absolute	89

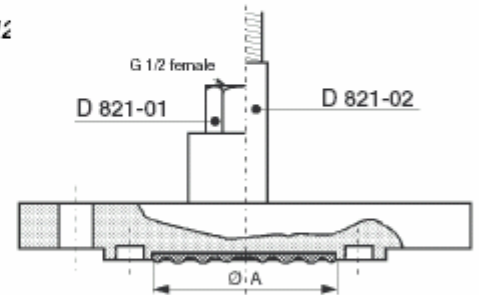
Material : stainless steel 1.4404 (AISI 316L), Hastelloy C276.
Uranus B6, Hastelloy B, Tantalum, Nickel



D821 : chemical seal with built-in flange/female groove DIN 2512

DN	PN	Range	Ø A
50	16 to 160	0.6 to 160 bar -1 +3 to -1 +24 bar	54
80	16 to 160	160 mbar to 160 bar 0 to -1 bar and P. absolute	89
100	16 to 160	160 mbar to 160 bar 0 to -1 bar and P. absolute	89

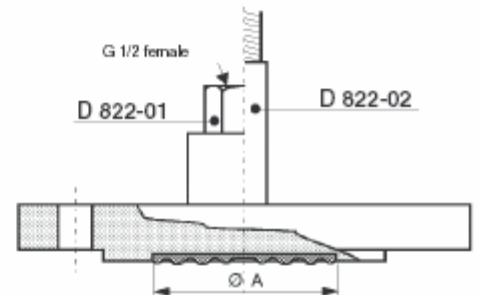
Material : stainless steel 1.4404 (AISI 316L), Hastelloy C276.
Uranus B6, Hastelloy B, Tantalum, Nickel



D822 : chemical seal with built-in flange/male spigot DIN 2513

DN	PN	Range	Ø A
50	16 to 100	0.6 to 100 bar -1 +3 to -1 +24 bar	54
80	16 to 100	160 mbar to 100 bar 0 to -1 bar and P. absolute	89
100	16 to 100	160 mbar to 100 bar 0 to -1 bar and P. absolute	89

Material : stainless steel 1.4404 (AISI 316L), Hastelloy C276.
Uranus B6, Hastelloy B, Tantalum, Nickel

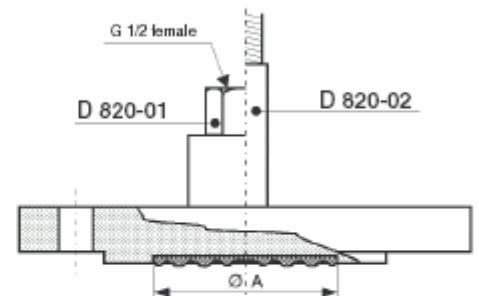


According to ANSI standard

D820 : chemical seal with built-in flange, raised face RF

DN	Class	Range	Ø A
2"	150 to 2500	0.6 to 420 bar -1 +3 to -1 +24 bar	54
3"	150 to 2500	160 mbar to 420 bar 0 to -1 bar and P. absolute	89
4"	150 to 2500	160 mbar to 420 bar 0 to -1 bar and P. absolute	89

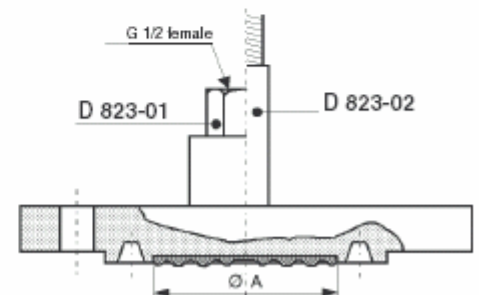
Material : stainless steel 1.4404 (AISI 316L), Hastelloy C276.
Uranus B6, Hastelloy B, Tantalum, Nickel



D823 : chemical seal with built-in flange, ring joint face RTJ

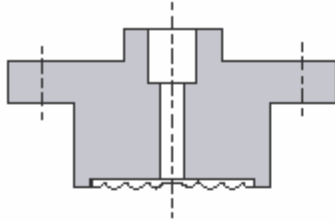
DN	Class	Range	Ø A
2"	150 to 2500	0.6 to 420 bar -1 +3 to -1 +24 bar	54
3"	150 to 2500	160 mbar to 420 bar 0 to -1 bar and P. absolute	89
4"	150 to 2500	160 mbar to 420 bar 0 to -1 bar and P. absolute	89

Material : stainless steel 1.4404 (AISI 316L), Hastelloy C276.
Uranus B6, Hastelloy B, Tantalum, Nickel



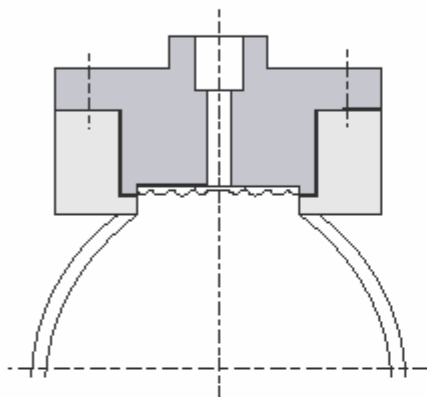


The D29402 chemical seal series is designed for direct assembly on a pipe or various flanges. In the event of damage sustained by the pressure indication, the diaphragm ensures leak proof sealing.

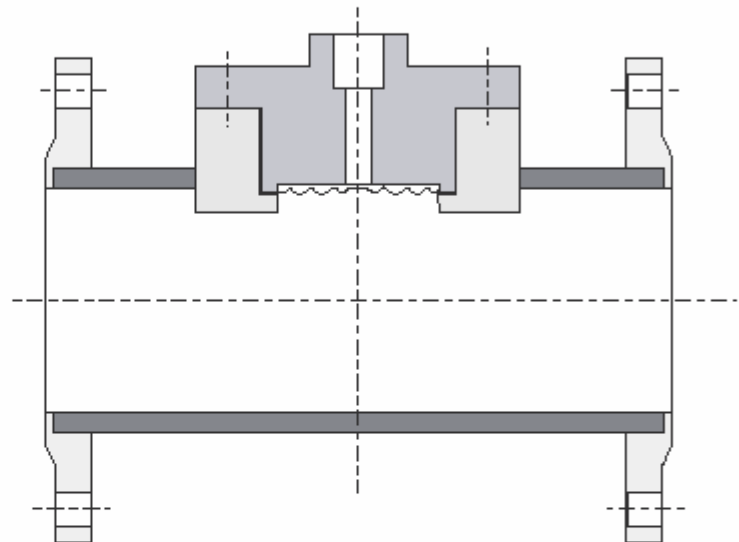


- Chemical seal D29402-27
- Female thread, top housing : G 1/2 ou 1/2 NPT
- Flange material : steel or stainless steel
- Diaphragm : Stainless steel, Uranus B6, Nickel, Hastelloy B, Hastelloy C276, Tantalum, Monel 400
- Coatings : PTFE 0.02 mm (except Tantalum) or PTFE lining.

Assembly on pipe
D29402-1 for pipes 3" to 5" (88 to 130 mm)



Assembly on flange.
Flange ANSI 3" 150 lb D 29402-37



Assembly on pipes of 0.5 to 2.5 and bigger than 8" are possible : consult us.
Assembly on ANSI or ISO flanges are possible : consult us.

How to order a chemical seal :

For D800 to D850 :

- Type of separator
 - Diaphragm material
 - Flange type
- ISO or ANSI
DN
PN (or class)

Example

D801-12
Stainless steel
ANSI
2"
300

For D29402

- Type of separator
- Female thread
- Flange material
- Diaphragm material
- Ø of pipe to be welded

Example

D29402-1
1/2 NPT
Steel
Stainless steel
4"

Modifications reserved