



# DAPH Hygienic Seal DN 38

- Fully stainless steel seal with flush diaphragm
- Fast fitting and removal
- Sterilisation and cleaning in place
- Fluid temperature up to 150°C depending on pressure
- 3-A approval
- Diaphragm surface finish  $\leq 0.8 \mu\text{m}$

Seal DAPH can be fitted with MEX2, MEX3 and MEX35 pressure gauges on the Bourdon-Haenni in-line pipe.

This seal has been designed for processes requiring rigorously clean conditions using cleaning and sterilising in place systems (CIP, SIP). It is intended for the food processing and pharmaceutical industries.

The pressure is transmitted to the measuring instrument via a neutral transmitting fluid which complies with FDA recommendations.

An O-ring guarantees tightness between the seal and the in-line connection.



## Specifications

Measurement range

Fluid temperature	$-10 \leq T \leq +100^{\circ}\text{C}$	$-10 \leq T \leq +150^{\circ}\text{C}$
Ambient temperature	$-10 \leq T \leq +50^{\circ}\text{C}$	$-10 \leq T \leq +70^{\circ}\text{C}$
Measurement range	0...+4 bar to 0...+25 bar	0...+6 bar to 0...+25 bar
	-1...+3 bar to -1...+24 bar	-1...+5 bar to -1...+24 bar

Material: Stainless steel 1.4404 (316L)

Transmitting liquid: LRS1,  $-15 \dots +150^{\circ}\text{C}$

Accuracy class of pressure gauges at 20°C: MEX2 (ø50mm) - MEX3 (ø63 mm): class 1.6  
MEX35\* (ø100 mm): class 1.6

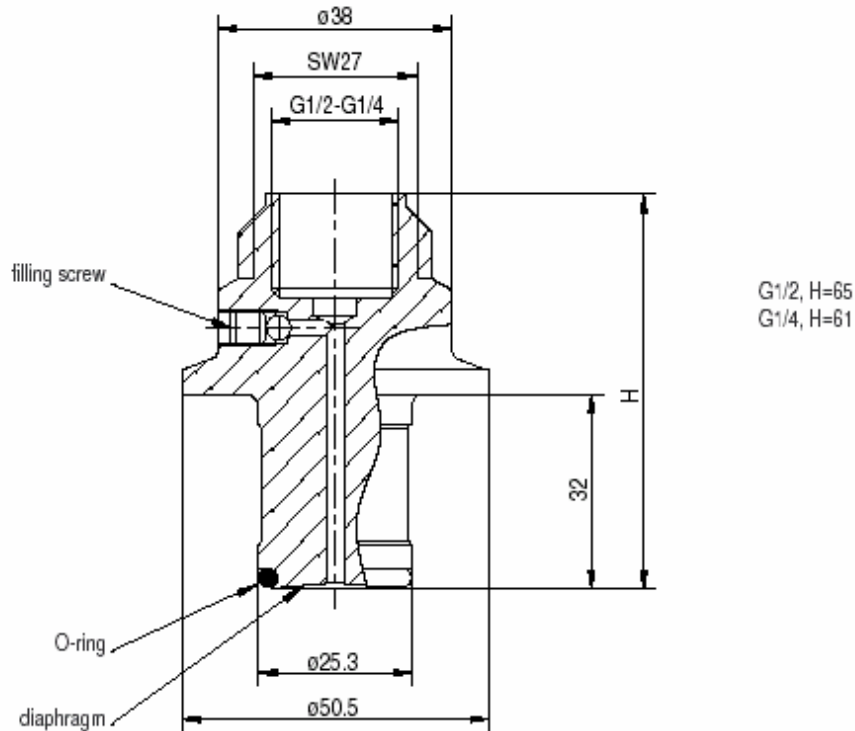
Weight: 0.350 kg

**\*Note**  
The MEX35 is a fully stainless steel, class 1.6, DN 100 pressure gauge specially developed for use with a seal within the measurement ranges given above. Type D and G1/2 connection only.



## Dimensions

[mm]



## Photo of application

MEX35 (∅ 100 mm) used with seal DAPH fitted on the Bourdon-Haenni in-line pipe.



## DAPH ordering information

		DAPH xx
Model	1'...4' digit	
DN 38 hygienic seal		DAPH
Pressure gauge connection	5'...6' digit	
G1/4 female		OH
G1/2 female		OL

\* DN 38 Clamp collar: uncoded option