

# Digital indicators AN41 AN44

The **AN41** and **AN44** indicators provide excitation voltage (28V with 75 W shunt resistance) for 4-20 mA or 0-20 mA pressure and temperature transmitters. Various engineering units are available. Overall systems (Bourdon-Haenni transmitters + indicator) can be adjusted or calibrated in factory. All programming operations (0, full scale for AN41, AN44 and set points, AN41 only) are implemented on the front panel.

- 10.000 counts LED display
- 4-20 mA or 0-20 mA input
- Transmitter excitation
- Average value
- 4 set points (AN41)
- Zero and span adjustment
- Meet the toughest requirements of electromagnetic compatibility standards EN 50081 and EN 50082 (European directive : 89/336/CEE).
- Measurement units : bar, kPa, kg/cm<sup>2</sup>, psi, °C, °F,...



## Specifications (20°C), options

### Display :

-1999 to +9999 counts, red LED.  
Overrange : display dEP  
Decimal point programmed on front panel.

### Power supply :

230 V / 50 Hz. Consumption : 6 W

### Excitation voltage output :

28 V, 75 W  
Permanent short - circuit max. current : 50 mA  
Current input shunt value - 75 W

### Input :

0-20 mA or 4-20 mA (2 wires).

### Operating temperature :

0 to +60°C

### Storage temperature :

-40 to +85°C

### Tightness :

IP20 according to NF EN 60529

### Accuracy :

± 0.1% F.S. ± 1 count

### Reading rate :

7 readings / sec

### Alarms :

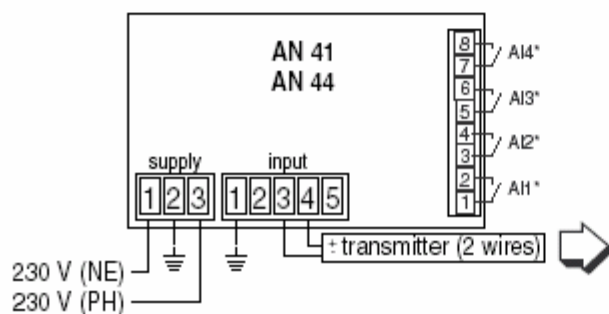
4 programmable independent thresholds  
1 contact changeover relay, 1A, 220 V cos φ 0.7  
Fully adjustable switches on the display range  
Resolution : 1 count  
Relays on when signal above set point (can be reversed).

### Options

- 110 V / 50 Hz, 48 V / 50 Hz, 24 V / 50 Hz power supply
- Front panel IP55
- Calibration with certificate Q1060
- Front Keypads

## Wiring

### Back panel of indicator (AN41, AN44) :

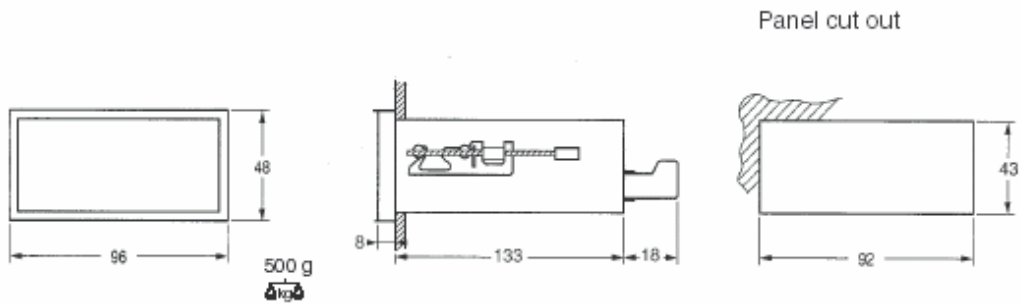


06/02 - N° 304007 GB

T R A N S M I T T E R	PRESSURE	leaflet n°
	EN113 E/Y913, E/Y923, E/Y933, E/Y943 E/Y8903 X913/X513 EF53 E813/Y813	CAT. 304100
	TEMPERATURE	leaflet n°
E71TR/Y71TR E76TR/Y76TR	304008	



## Dimensions (mm)



## Codification

	<b>A</b>	<b>N</b>	<b>4</b>			<b>0</b>	<b>0</b>			<b>*</b>
<b>Family :</b>	Accessories		Electronic							<b>Transmitter with indicator calibrated together :</b>
	<b>A</b>									<b>0</b> without
<b>Type :</b>										<b>1</b> physical unit display (to specify bar, psi, daN)
4 tresholds _____			<b>N41</b>							<b>2</b> end points calibration (zero and span)
0 treshold _____			<b>N44</b>							<b>3</b> Q1060 calibration certificate (21 points)
<b>Power supply :</b>										<b>5</b> Q1060 calibration certificate (11 points)
220 Vac (standard) _____				<b>A</b>						
110 Vac _____				<b>D</b>						
24 Vac _____				<b>E</b>						
24 Vdc _____				<b>F</b>						
48 Vac _____				<b>J</b>						
<b>Tresholds :</b>										
without (AN44) _____									<b>0</b>	
4 tresholds (AN41) _____									<b>4</b>	

**\* Uncoded options have to be listed after the code number**