



Digital Display With Difference Calculator DAL 100

Product Description



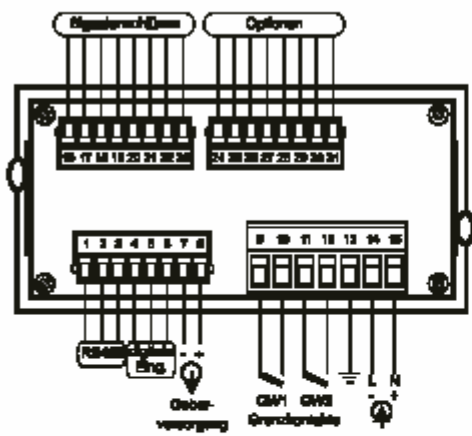
Notice

- Front measurement for DIN-panel mounting
- Display range -99999...99999
- 4-key-programming
- Difference calculator
- Application linearity (10 points) and ?
- Power supply for measured value
- 2 limit contact
- 2 digital inputs to the display control
- RS485-interface
- Plugable screw terminal

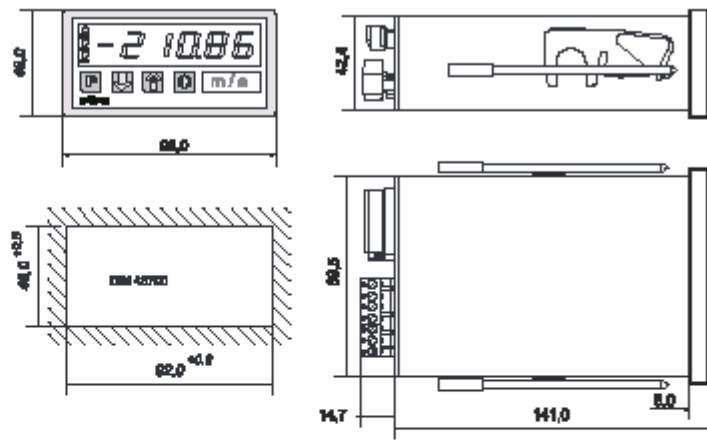
Technical Data

Housing	panel housing DIN 43 700 96x48x141 mm ³ incl. screw terminal
Display	LED-Display red; 6-digit; 14 mm
Operation	4 integrated keys behind front membrane
Supply voltage	95...250 V AC; 50...60 Hz; 9 VA
Measuring range voltage	2 x ± 10 V; $\pm 0,01$ %; ± 1 Digit; 1 M Ω
Measuring range current	2 x ± 20 mA; $\pm 0,01$ %; ± 1 Digit; 10 Ω
Digital input	2 x TTL; max. 30 V; Pull-Up 10 k Ω to +5V; low-aktiv
Limit contact	2 x 250 V; 5 A max.
?	24 V; 125 mA max.
Ambient temperature	0...+50 °C; Lager -20...+70 °C

Wiring Diagram



Dimensional Drawing



Order Code
DAL 100

Digital display