



Programmable Digital Display DAP 100

Product Description



Notice

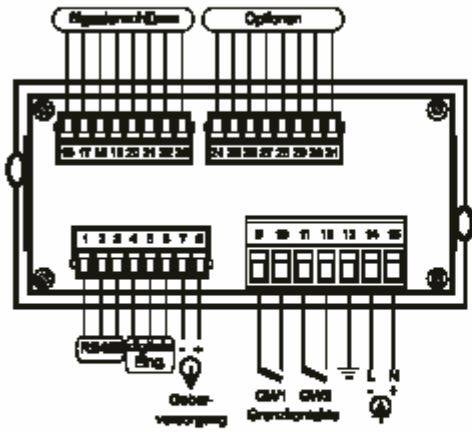
- Front measurement for DIN-panel mounting
- Display range -99999...99999
- 4-key-programming
- Input for voltage, current, Pt100
- Thermoelements K, J, L, S, T, U, R (with intern ?)
- Application linearity (10 points)
- Power supply for measured value
- 2 limit contact
- 2 digital inputs to the display control
- RS485 - interface
- Plugable screw terminal

Technical Data

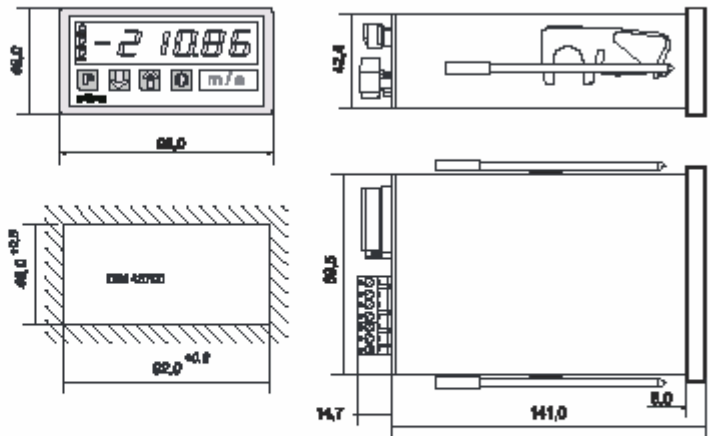
Housing	panel housing DIN 43 700 96x48x141 mm ³ incl. screw terminal
Display	LED-Display red; 6-digit; 14 mm
Operation	4 integrated keys behind front membrane
Supply voltage	95...250 V AC; 50...60 Hz; 9 VA
Measuring range voltage	± 10 V; ± 0,01 %; ± 1 Digit; 1 MΩ
Measuring range current	± 20 mA; ± 0,01 %; ± 1 Digit; 10 Ω
Measuring range	-200...+600 °C; ± 0,5 °C; resolution 0,1 °C; 2-, 3-, 4- conductor
Measuring range thermoelement	-100...+1400 °C; ± 1 °C; resolution 0,1 °C
Digital input	2 x TTL; max. 30 V; Pull-Up 10 KΩ to +5V
Limit contact	2 x 250 V; 5 A max. 24 V; 125 mA max.
Ambient temperature	0...+50 °C; Lager -20...+70 °C



Wiring Diagram



Dimensional Drawing



Order Code
DAP 100

Digital display