



Programmable Frequency Transmitter MFP 100

Product Description

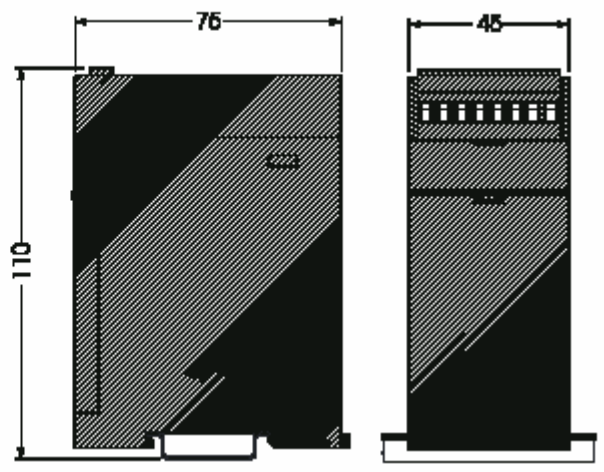
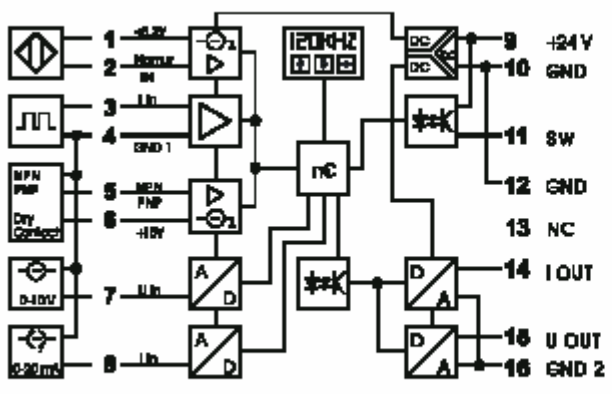


Notice

- Frequency from 0,1 Hz...120 kHz
- Analog- and switch output
- 3-ways-isolation
- programmable over membrane key
- Display from in- and output signal

Technical Data

Measuring input	NPN- / PNP-Transistor; relaycontact; NAMUR-initiator
Output	0(4)...20 mA
Supply voltage	20...30 V DC; 60 mA max.
Load	≤ 500 Ω
Temperature coefficient	≤ 0.01 %/K
Connector	pluggable screw terminals
Operating temperature	-20...+65 °C



Order Code
MFP 100