



Programmable Limit Switch MGW 100 P

Product Description

The MGW 100 P limit switch is used for monitoring and regulating the process. Four independent adjustable switch points react to different input signals. The programming is done by the membrane keyboard. By means of an LED display the current measured value is indicated.



Notice

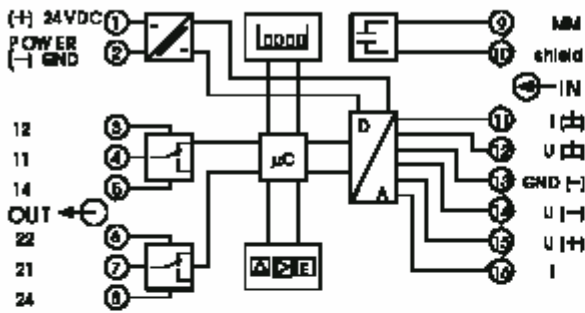
- Four independent adjustable switch points
- Galvanic isolation of the input
- Configurable input (current, voltage, Pt 100)
- Relay output has 2 alternate contacts

Technical Data

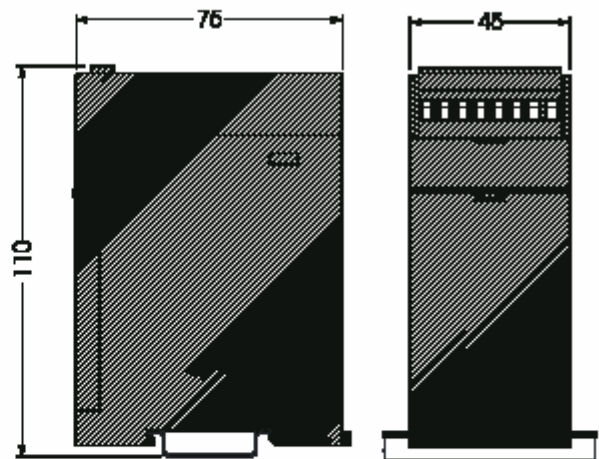
Measuring input	0...20 mA; 4...20 mA; 0...10 V; Pt100
Output	relay output 2 changes, 250 V AC/2A
Supply voltage	20...30 V DC
Load	≤ 500 Ω
Temperature coefficient	≤ 0.01 %/K
Connector	plugable screw terminal
Operating temperature	-20...+65 °C



Wiring Diagram



Dimensional Drawing



Order Code
MGW 100 P

Programmable Limit Switch