



Conductive Level Sensor LSK 121

Sensor fabricated completely in stainless steel

Compact design and integrated electronics

Electrode is variable in length

Food compatible material

Temperature resistant up to 140 °C

Direct connection to a SPS and PLS

Hygienic adapter sleeves for other process connections

LED-monitor



Description

The conductive level sensor LSK 121 is used for level detection and dry run protection in conductive liquids. The conductive level sensor LSK 121 measures the difference of conductivity of the sensor which is covered by the conductive liquid. The tank or pipe side acts as the counterpotential. The evaluation module

is integrated in the sensor head and therefore the output signal can be directly switched to a SPS or PLS. The hygienic installation is guaranteed by using the hygienic process weld-in sleeve PM 020. Due to its high temperature resistance (140 °C), the LSK 121 is well suitable for CIP and sterilization processes.



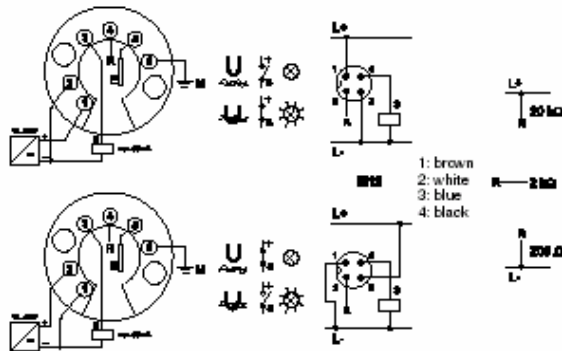
Technical data

Connecting head stainless steel V2A 1.4305; Ø 55 mm	Temperature range -20 ... 140 °C
Electrical connection cable gland M16; M12-plug connection	Operating pressure max. 10 bar
Process connection thread adapter G½"; V4A 1.4571; sleeve PM 020	Sensitivity 200 Ω; 2 kΩ; 20 kΩ adjustable by wiring
Electrode rod stainless steel 1.4571; Ø 4 mm; uninsulated	Switching function polarity of the auxiliary voltage
Electrode length 200; 500; 850; 1000 mm	Output active max. 50 mA (short-circuit proof)
Type of protection IP 67	Auxiliary voltage 18 ... 36 V DC; 10 mA max. (without load)
Insulating material PEEK	

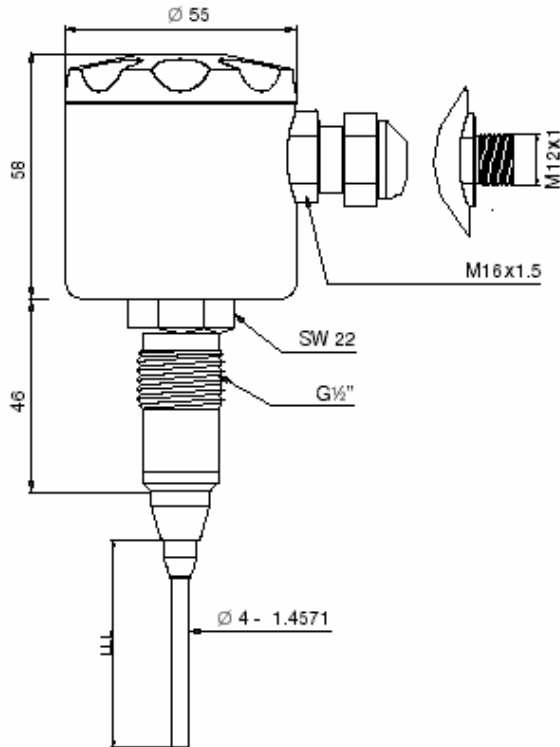
Selection chart

Ordering code	LSK 120	
Electrode length		
1	200 mm	
2	500 mm	
3	850 mm	
4	1000 mm	
Electrical connection		
Cable gland M16		1
Plug M12		2
Accessory		
PM 020 Hygienic process weld-in sleeve		

Wiring diagram



Dimensional drawing



UK/2008-04-01 This data sheet may only be reproduced in full.