



Conductive Level Sensor LSK 221

Sensor for hygienic installation without elastomere seal

Compact design and integrated electronics

Electrode is variable in length

Food compatible material

Temperature resistant up to 140°C

Direct connection to a SPS and PLS

Hygienic adapter sleeves for other process connections

PTFE-coating

LED-Monitor



Description

The conductive level sensor LSK 221 is used for level detection and dry run protection in conductive liquids. The conductive level sensor LSK 221 measures the difference of conductivity of the sensor which is covered by the conductive liquid. The tank or pipe side acts as the counterpotential. The evaluation module

is integrated in the sensor head and therefore the output signal can be directly switched to a SPS or PLS. The hygienic installation is guaranteed by using the hygienic process weld-in sleeve PM 020. Due to its high temperature resistance (140 °C), the LSK 221 is well suitable for CIP and sterilization processes.



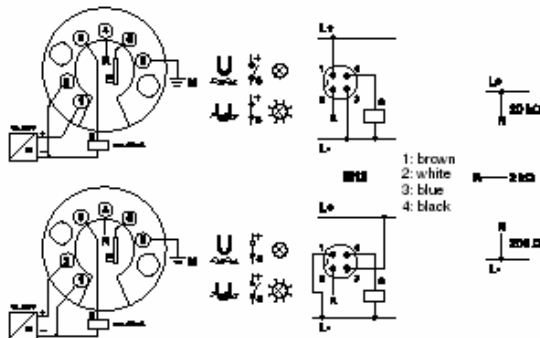
Technical data

| | |
|---|---|
| Connecting head stainless steel V2A 1.4305; Ø 55 mm | Temperature range -20 ... 140 °C |
| Electrical connection cable gland M16; M12-plug connection | Operating pressure max. 10 bar |
| Process connection thread adapter G½"; V4A 1.4571; sleeve PM 020 | Sensitivity 200 Ω; 2 kΩ; 20 kΩ adjustable by wiring |
| Electrode rod powder-coating PTFE 0,1 mm corresponding with the FDA-regulations | Switching function polarity of the auxiliary voltage |
| Electrode length 200; 500; 850; 1000 mm | Output active max. 50 mA (short-circuit proof) |
| Type of protection IP 67 | Auxiliary voltage 18...36 V DC; 10 mA max. (without load) |
| Insulating material PEEK | |

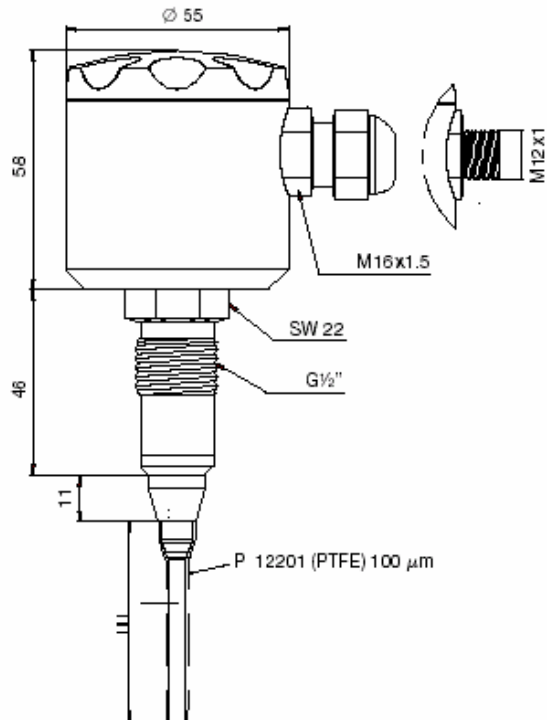
Selection chart

| | | | | |
|-------------------------|---------|--|--|---|
| Ordering code | LSK 221 | | Electrical connection | |
| Electrode length | | | Cable gland M16 | 1 |
| 1 | 200 mm | | Plug M12 | 2 |
| 2 | 500 mm | | | |
| 3 | 850 mm | | | |
| 4 | 1000 mm | | | |
| | | | Accessory | |
| | | | PM 020 Hygienic process weld-in sleeve | |

Wiring diagram



Dimensional drawing



UK/2009-04-01 This data sheet may only be reproduced in full.