



Microfant Limit Switch

LSM 020

Product Description

The Microfant limit switch is used for level detection and dry run protection. The electromagnetic wave is sent into the medium and depending on the DK-value the run time of the electromagnetic wave changes. This measuring method gives it universal usage even with changing media. Formation, foam and condensate are undetected. The Microfant's installation position in the tanks or pipes is independent. Using the hygienic collared weld-in sleeve PM 020 a hygienic and nearly front flush installation is guaranteed. Due to its high temperature resistance (140 °C) the Microfant is well suitable for CIP and sterilization processes.



Notice

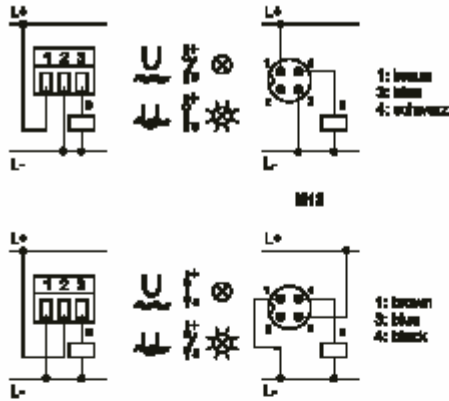
- Sensor for hygienic installation without elastomere seal
- Compact design and integrated electronics
- Optimized flow geometry
- Millimetre precise and constant switching point without calibration
- Measurement method of conductivity is independent
- Food compatible material
- Maintenance free
- Installation in pipes from DN 25 upwards
- Direct connection to a SPS or PLS
- Hygienic adapter sleeves for other process connections
- LED-monitor

Technical Data

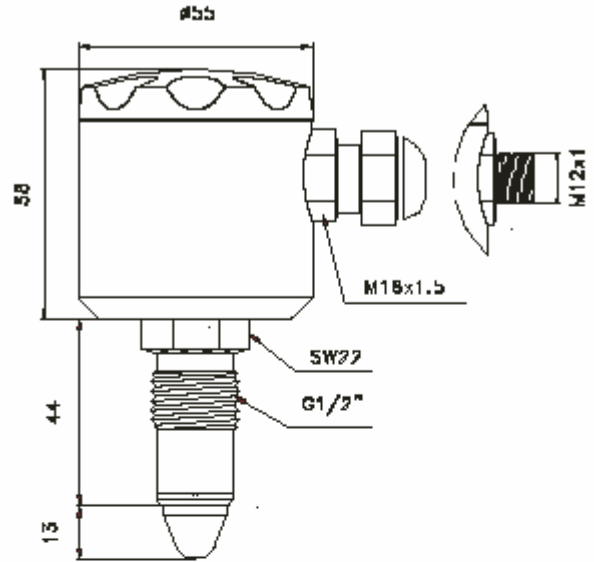
Connecting head	stainless steel V2A 1.4305; Ø 55 mm
Electrical connection	cable gland M16; M12-plug connection
Process connection	thread adapter G ½"; V4A 1.4571; sleeve PM 020
Type of protection	IP 67
Interlink component	PEEK
Temperature range	-20...+140 °C
Operating pressure	max. 16 bar
Switching polarity	polarity of the auxiliary voltage
Output	active 50 mA (short-circuit proof)
Auxiliary voltage	18...36 V DC; 70 mA max. (without load)



Wiring Diagram



Dimensional Drawing



Order Code

LSM 020

Electrical connection

- 1 cable gland M16
- 2 plug M12

Accessories

- PM 020 Process weld-in sleeve