



Microfant Limit Switch LSM 030

Sensor for hygienic installation without elastomere seal

Compact design and integrated electronics

Optimised flow geometry

Millimetre precise and constant switching point without calibration

Measurement method of conductivity is independent

Food compatible material

Maintenance free

Installation in pipes from DN 15 upwards

Direct connection to a SPS or PLS

LED monitor



Description

The Microfant limit switch is used for level detection and dry run protection. The electromagnetic wave is sent into the medium and depending on the DK-value the run time of the electromagnetic wave changes. This measuring method gives it universal usage even with changing media. Formation, foam and condensate are undetected. The Microfant's installation position in the

tanks or pipes is independent. Using the hygienic collared weld-in sleeve PM 030 a hygienic and nearly front flush installation is already guaranteed in pipe diameters down to DN 15. Due to its high temperature resistance (140 °C) the Microfant is well suitable for CIP and sterilization processes.



Technical data

Connecting head

stainless steel V2A 1.4305; Ø 55 mm

Electrical connection

cable gland M16; M12-plug connection

Process connection

collared sleeve; V4A 1.4571; sleeve PM 030

Type of protection

IP 67

Interlink component

PEEK

Temperature range

-20 ... 140 °C

Operating pressure

max. 16 bar

Switching function

polarity of the auxiliary voltage

Output

active 50 mA (short-circuit proof)

Auxiliary voltage

18 ... 36 V DC; 70 mA max. (without load)

Selection chart

Ordering code

LSM030

Electrical connection

Cable gland M16

1

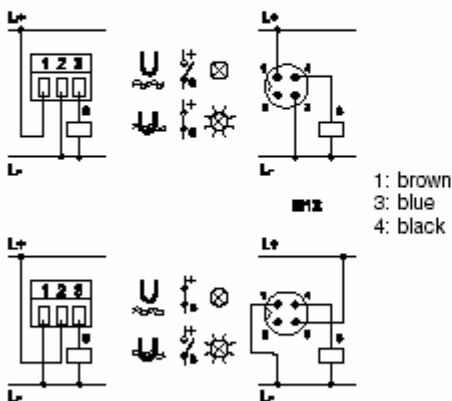
Plug M12

2

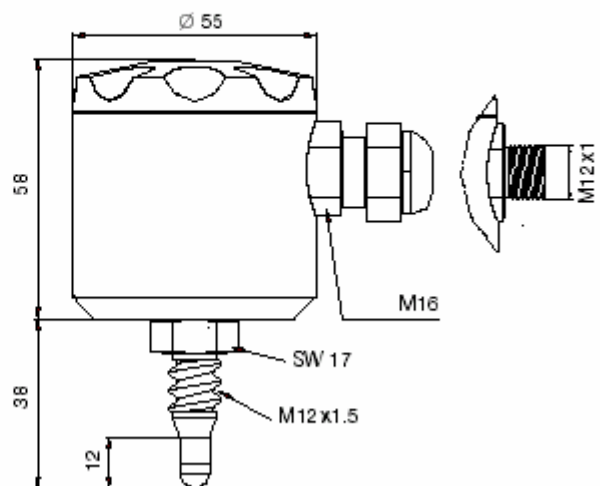
Accessory

PM 031 Hygienic process weld-in sleeve

Wiring diagram



Dimensional drawing



UK/2003-04-01 This data sheet may only be reproduced in full.