



Inductive Conductivity Sensor ISL 050

- Compact design in stainless steel
- 4 measurement ranges which are freely configurable by BCD
- Code and externally switchable
- Temperature compensation is freely adjustable within the range of 0...5 %/K
- Temperature resistant up to 130 °C
- Insensitive to polarization and pollution
- Hygienic adapter sleeves for other process connections
- LC-Display of conductivity and temperature
- Easy operating with jog-shuttle
- 2 analog outputs 4 ... 20 mA for conductivity and temperature



Description

The conductivity sensor ISL 050 with a stainless steel connecting head is a compact system for measuring inductive conductivity. The small and compact design of the sensor enables the installation in pipes from a nominal diameter of DN 40 and upwards. With its optimized flow geometry and the extremely

fast response time the sensor is particularly suitable for applications in the range of media division (e. g. beer – beer), phase separation of cleaning agents and concentration of CIP plants. The hygienic installation is guaranteed by using the hygienic process weld-in sleeve PM 050.



Technical data

Connecting head
stainless steel V2A 1.4305; Ø 89 mm

Temperature range
-20...+130 °C (140 °C < 1 h)

Electrical connection
cable gland M16; M12-plug

Output
Conductivity 4...20 mA; temperature 4...20 mA; load max. 500 Ω

Process connection
thread adapter G1", sleeve PM 050

Conductivity accuracy
±1 % of the selected range

Sensor
material PEEK / stainless steel V4A 1.4571

Temperature accuracy
≤ ±0,2 °C (0...+50 °C);
≤ ±0,5 °C (-20...+150 °C)

Type of protection
IP 67

Auxiliary voltage
18...36 V DC; 180 mA max.

Measuring ranges
freely eligible, 500 µS/cm up to 1000 mS/cm; -20...150 °C

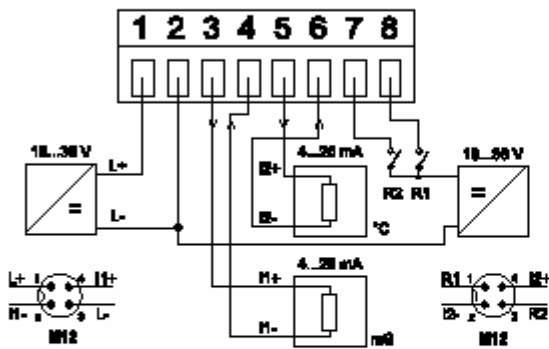
Operating pressure
max. 10 bar

Selection chart

Ordering code	ISL050
Electrical connection	
Cable gland M16	1
Plug M12	2

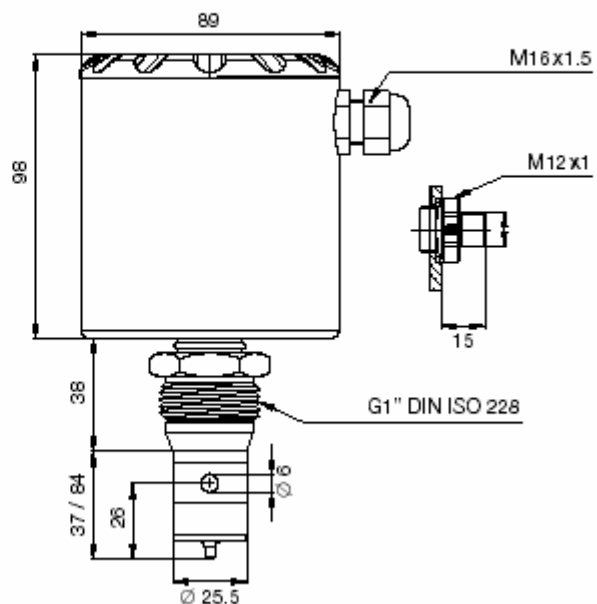
Accessory
PM 050 Hygienic process weld-in sleeve

Raccordement électrique



- 1: brown
- 2: white
- 3: blue
- 4: black

Encombrement



UK/2003-04-01 This data sheet may only be reproduced in full.