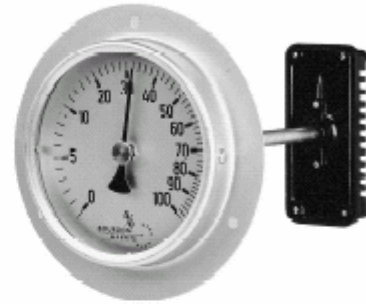




Hygrometers KAF Ø 100

Application	For humidity measurements of air and noncorrosive gases in drying rooms, ventilation plants ect.
Ranges	0 ... 100%
Accuracy	± 4%
Dial	Polished aluminium, graduations black
Pointer	Aluminium black
Lens	Normal glass

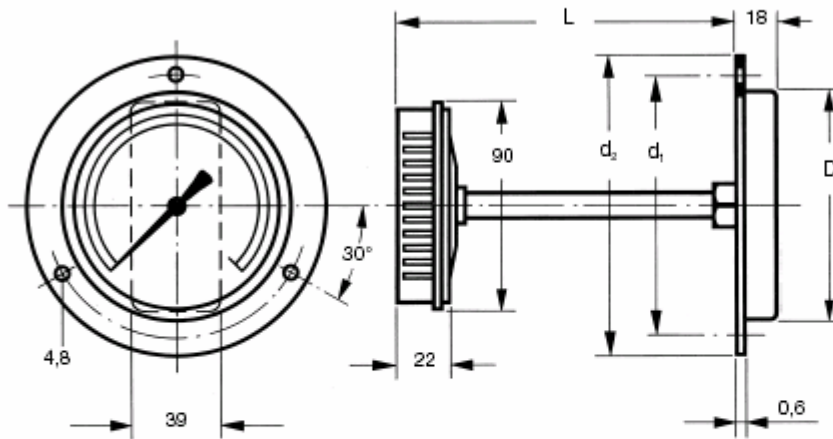


Selection Chart

System design	KAF xxx.xxx.xxx		
Dial size			
NS 100	100		
Case/protective basket/distance pipe			
Stainless steel/bakelite/brass	2		
Structural shape			
Wall mounting, flange at rear	3		
Outlet			
Center back	2		
Indicator			
Standard	1		
Installed length			
L = 100 mm			15
L = 200 mm			16
L = 250 mm			17
L = 300 mm			18
L = 400 mm			19



Dimensions



\varnothing	D	d_1	d_2
100	100	116	132

Weight
200 g