



Hygienic Process Weld-in Pipes PR 050

Hygienic standard installation (EHEDG, FDA)

Fast assembly time

Nominal diameter DN 15 - 100

Metallic sealing system / PEEK sealing cone



Description

The process weld-in pipes make a hygienic and fast installation in the process plants possible. By means of the accompanying sensoric a maximum hygiene standard is reached. In combination with the process pressure sensor PSC 050 and the

inductive conductivity sensor ISL 050 the complete inexpensive measuring point is quickly installed in the pipes with hygienic compatibility. Application possibilities are in all hygienic product ranges (drinks, beer, dairy products, pharmacy etc.).



Technical data

Design

T- or cross-section in accordance to DIN 11852 line 2

Kind of installation

weld-in

Material

1.4404

Sealing system

metallic; PEEK

Thread system

hygienic G1"

Operating pressure

max. 16 bar

Surfaces

inside $RA \leq 0,8 \mu m$; outside glass bead radiated or electric-polished

Selection chart

Ordering code

PR050

Nominal diameter

1	DN 40
2	DN 50
3	DN 65
4	DN 80
5	DN 100

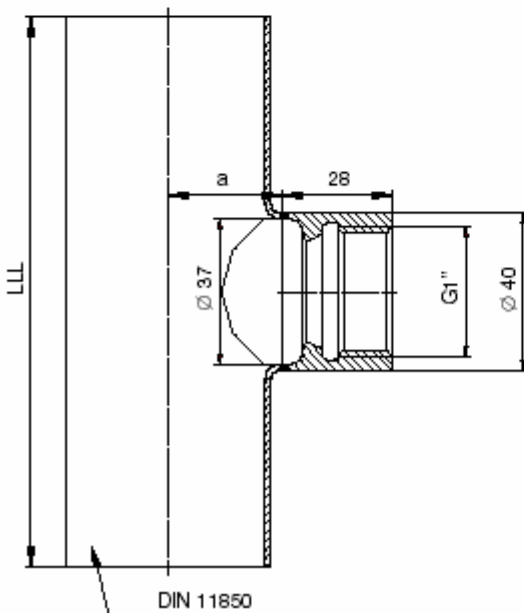
Surface

1	Glass bead radiated
2	Electric-polished

Accessory

PS 050 Drain plug G1"

Dimensional drawing



Dimensions	DN	LLL	a
rmh-g DN 40 / 1/2"	40	120	22
rmh-g DN 50 / 1/2"	50	140	29
rmh-g DN 65 / 1/2"	65	160	38
rmh-g DN 80 / 1/2"	80	180	46
rmh-g DN 100 / 1/2"	100	200	55

UK/2003-04-01 This data sheet may only be reproduced in full.