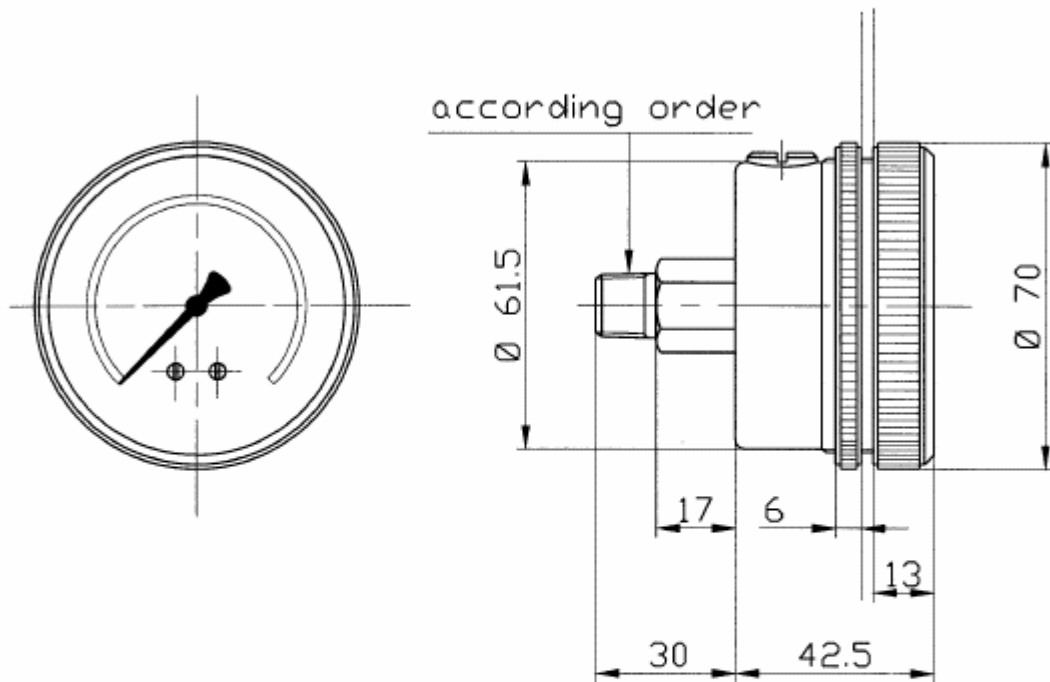




This 63mm dial subsea bell gauge has a brass case, stainless steel connection and shank with copper/brass tube. Comes as a panel mounted instrument with 1/4"BSP/NPT rear connection - suitable to 450mtrs depth - all standard dials up to 400 bar - Oxygen cleaned (Use no oil on dial)

Saltire Instruments for Industry Ltd, PO Box 3557, Bothwell, G71 8EN
Tel: +44 (0) 1698 852695 Fax: +44 (0) 1698 853332 email: sales@instrumentsforindustry.biz

SUB SEA PRESSURE GAUGE



63mm panel mount bell gauge suitable to 450metres seawater. Brass case, stainless steel connection. All standard ranges available up to 400 bar. $\frac{1}{4}$ "NPT or $\frac{1}{4}$ "BSP connection sizes. Sealed for Oxygen Cleanliness.