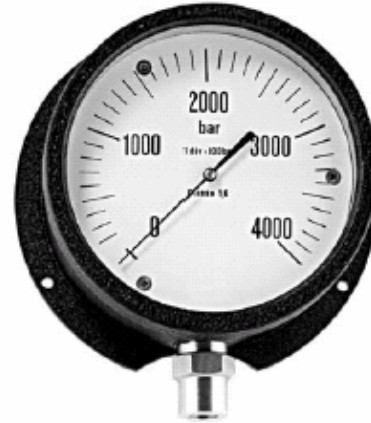




## MFP7 High pressure industrial pressure gauges

Ø 150  
High pressure pressure gauge  
Accuracy  $\pm 1.6\%$   
Safety shield

The MFP7 is a very tough, high quality, high pressure industrial pressure gauge. The pressure ranges cover 0-2000 to 0-4000 bar. This range of pressure gauge is designed principally for high pressure applications, hydraulic systems and test benches. A special high pressure chemical seal (optional) can be fitted to the MFP7 pressure gauge for use with aggressive fluids.



### Specifications (20°C)

Measurement range	From 0 to 4000 bar. (see standard graduations overleaf) Withstands 5 % overpressure
Accuracy	$\pm 1,6\%$ full scale
Environmental protection	IP 54 in accordance with EN 60529
Sensing element and connection	

CONNECTOR MATERIAL	Stainless steel	
CONNECTOR	22 AF (G1/2) or 27 AF (M16x1.5 female)	
THREAD	G 1/2 $\leq$ 2500 bar M16x1.5 female for 6.35 tube $\geq$ 3000 bar	
SENSING MATERIAL	2000 - 2500 bar: 1.4404 stainless steel (AISI 316 L) 3000 - 4000 bar: inconel	
TUBE / CONNECTOR JOINT	welded: 2000 bar	screwed $\geq$ 2500 bar
OPERATING TEMPERATURE	°C	
Fluid temperature	- 20°C to 150°C	
Ambient temperature	0°C to 80°C	

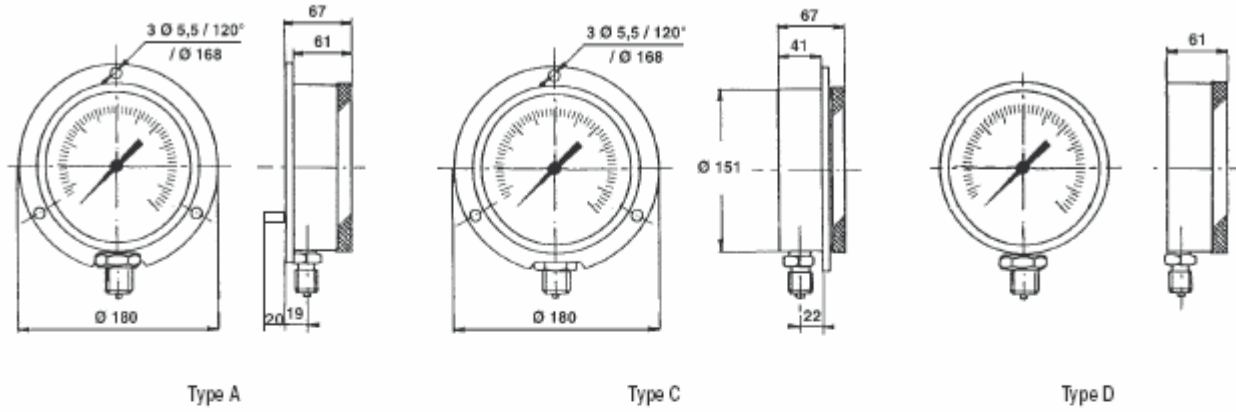
Housing	Oil based painted aluminium alloy Glycerophthal-schutzlackiert
Bezel	Screwed aluminium alloy
Window	Polycarbonate
Window seal	Nitrile rubber
Movement	Copper alloy
Dial	Aluminium alloy Numbers and marking black on white background The scale acts as a safety, black
Pointer	Aluminium alloy, balanced, black
Safety vent	On the back of the pressure gauge

### Options

Uncoded options (to be written in full after the code)

Maximum pressure needle with reset  
Contacts  
Liquid filled  
G1/2 pressure connector for  
D020 (38378-02) separator  $\leq$  3000 bar  
Other connections

Dimensions (mm)



Type ∅	Weight		
	A	C	D
150	1530	1530	1415

Codification - MFP7

	MFP7	xx0	xxx
Model	1...3 Digit		
Pressure gauges	MFP		
Dial diameter	4 Digit		
150 mm	7		
Type of mounting	5 Digit		
rear connector, rear flange		A	
bottom connector, front flange		D	
bottom connector		C	
Connector thread	6 Digit		
G1/2 (max. 2500 bar)		3	
M16 x 1.5 female for 6.35 tube		U	
Filling	7 Digit		
none		0	
Unit of measurement	8 Digit		
bar			B
psi			H
Pressure range	9...10 Digit		
See codes in table			x x

code	Measurement scale (bar)	Measurement scale (psi)
43	0 + 2000	0 + 30000
96	0 + 2500	-
44	0 + 3000 <sup>(1)</sup>	-
45	0 + 4000 <sup>(1)</sup>	0 + 60000 <sup>(1)</sup>

(1) M16 x 1.5 female only

UK/11-2002 This data sheet may only be reproduced in full