



MPK6 Capsule pressure gauge with phenol case

Ø 4" 1/2 to ANSI B 40-1 standard

Designed for Chemical and Petrochemical industries

From - 600 + 0 to 0 + 600 mbar

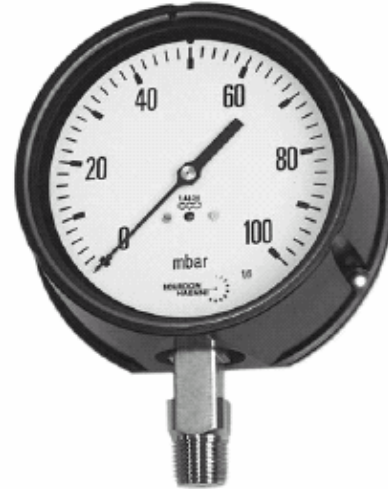
Accuracy ± 1% and ± 2%

Resistant to transient overpressure

Withstanding corrosive fluids and atmospheres

The MPK6 capsule gauge is designed for low and negative pressure measurements.


A safety valve prevents permanent deformation of the capsule in case of sudden overpressure.



Specifications (20°C)

Range	vacuum = -600 + 0 ... -16 + 0 mbar pressure = 0 + 16 ... 0 + 600 mbar compound = -6 + 10 ... -250 + 400 mbar Momentary overrange protection (< 1 mm) 20 times the range by means of a safety valve (see N.B.1).(except for vacuum range)
Accuracy	± 1% (middle of scale) for P > 40 mbar - Grade A (2-1-2) ± 2% (middle of scale) for P ≤ 40 mbar - Grade B (3-2-3)
Degree of protection	IP 44 according to EN 60529
Connection	316 stainless steel G 1/2 or 1/2 NPT - 15,9 mm / 2 flats
Sensing element	316 stainless steel capsule
Safety valve	Viton
Operating temperature	from - 40° to + 80°C
Case	Moulded phenol with fiberglass, autoextinguible. Black.
Snap ring	304 stainless steel
Window	Safety laminated glass (according to ANSI standard)
Window gasket	Elastomer. Provides sealing between window and case.
Connection block sealing	Elastomer
Movement	Brass
Mounting	

Type

	
Surface mounting with back flange	A
Direct	D

Dial	Aluminium alloy. Black graduations and figures on white background.
Pointer	Aluminium alloy, black painted.
Zero reset	Adjustment by the front side of the instrument after removing the window and bezel. Adjustment up to ± 10% of F.S.

Blow out disc

N.B. 1

Elastomer. Positioned at the back of the case.

For an efficient use of the safety valve in case of unclean fluids (dust, particles), a filter should be installed on the gauge.

N.B. 2

Vibrations may be detrimental to pressure gauge operation. Installation on a vibration-free bracket and the use of a capillary tube are recommended.

Uncoded options (have to be listed after the code number)

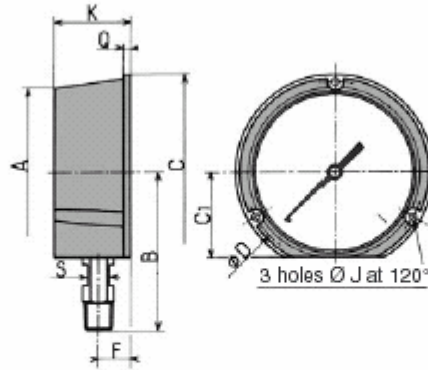
Glass, hardened glass or plexiglas window,
Special male threads
Special graduations
Cleanliness for oxygen service





Dimensions (mm)

Type A / D



Weight (kg) : 0,790

Dimensions

A	B (1)	C	C1	D (2)	F	J	K	Q	S flats
129.7	106.3	148.6	67.1	136.6	24/3	5.6	58.5	5.8	15.9

(1) with 1/2 NPT connection
(2) dia. of bore hole circle

Codification - MPK6

	MPK6	xxx	xxx
Family Pressure gauges	1' digit M		
Type MPK	2'...3' digit PK		
Dial diameter Ø 130 mm	4' digit 6		
Type of fitting and connection position bottom connection, back flange back connection	5' digit A D		
Connection thread G 1/2 1/2 NPT	6' digit 3 6		
Type of filling Without	7' digit 0		
Pressure range See codes in table	8'...10' digit		xxx

Unit of measurement ranges :
N : mbar

code	range in mbar	
N50	-16	+ 0
N51	-25	+ 0
N52	-40	+ 0
N53	-60	+ 0
N54	-100	+ 0
N55	-160	+ 0
N56	-250	+ 0
N57	-400	+ 0
N58	-600	+ 0
N04	0	+ 16
N05	0	+ 25
N06	0	+ 40
N07	0	+ 60
N08	0	+ 100
N09	0	+ 160
N10	0	+ 250
N11	0	+ 400
N12	0	+ 600
N61	-6	+ 10
N62	-10	+ 16
N63	-16	+ 25
N64	-25	+ 40
N65	-40	+ 60
N66	-60	+ 100
N67	-100	+ 160
N68	-160	+ 250
N69	-250	+ 400