



MPX6 - MPM6 - MPW6 Process gauges with phenol case

Ø 4" 1/2 to ANSI B 40-1 standard

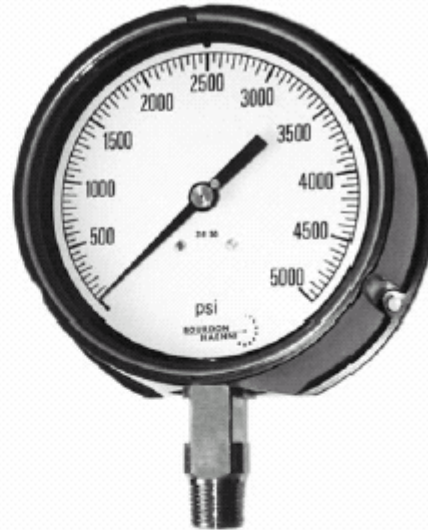
Designed for Chemical and Petrochemical industries

Accuracy : ± 1% (Grade 1A)

Scales in bar, psi, kg/cm², kPa

Withstands corrosive fluids and atmospheres

Stainless steel, monel or bronze sensing element



Specifications (20 °C)

Range	MPX6 = - 1 + 0 .. 0 + 1600 bar MPM6 = - 1 + 0 .. 0 + 600 bar MPW6 = - 1 + 0 .. 0 + 40 bar
Accuracy	± 1 %
Degree of protection	IP 44 according to EN 60529
Connection	G 1/2 or 1/2 NPT - 15,9 mm / 2 flats. MPX6 = 316 stainless steel MPM6 = monel 400 MPW6 = brass
Sensing element	MPX6 = 316 stainless steel MPM6 = monel 400 MPW6 = bronze Tube shape C (P < 60 bar), helicoil (P ≥ 60 bar). Welded tube.
Operating temperature	Ambient : - 40 .. + 100 °C (- 40 .. + 212 °F) Process fluid : MPX6/MPM6 = - 40 .. + 200 °C (- 40 .. + 392 °C) MPW6 = - 40 .. + 100 °C (- 40 .. + 212 °F)
Case	Moulded phenol with fiberglass, extinguishable. Black.
Snap ring	304 stainless steel
Window	Safety laminated glass (according to ANSI standard)
Window gasket	Elastomer. Provides sealing between window and case.
Connection block sealing	Elastomer
Movement	In stainless steel, with zero stop and overranger stop.
Dial	Aluminium alloy. Black graduations and figures on white background.
Pointer	Aluminium alloy, black painted. Micrometer adjustable for P ≥ 1 bar.
Blow out disc	Elastomer. Positioned at the back of the case.

Options

Uncoded options (have to be listed after the code number)

Glass, hardened glass or plexiglas window,

Special male threads

Special graduations

Restrictor screw

Different categories of cleanliness can be supplied : oxygen, laboratory, nuclear

Overrange protection devices (MPX6-MPM6) :

RAS 1, accuracy ±1%, P ≤ 600 bar

For overrange between 2 and 3 times the scale.

RAS 2, accuracy ±2%, P ≤ 1000 bar

For overrange between 4 and 5 times the scale.

Anti-vibration dampening movement :

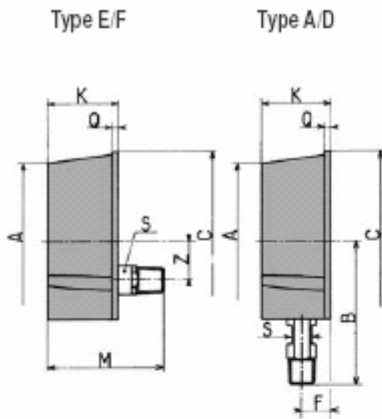
Range 0-1 bar ; 0-1,6 bar ; 0-2,5 bar : accuracy ± 1,6 %

Range P > 2,5 bar : accuracy ± 1%

Accuracy ± 0,5% (Grade 2A)



Dimensions (mm)



Dimensions

Weight (kg) : 0,790

A	B (1)	C	C1	D (2)	F	J	K	M (1)	Q	S flats	Z
129.7	106.3	148.6	67.1	136.6	24.3	5.6	58.5	85.1	5.8	15.9	30.3

(1) with 1/2 NPT connection
(2) dia. of bore hole circle



Range

code	range in bar		code	range in psi	
59	-1	+ 0	59	-30"Hg	+ 0
72	-1	+ 0.6	73	-30"Hg	+ 15
74	-1	+ 1.5	75	-30"Hg	+ 30
76	-1	+ 3	2C	-30"Hg	+ 60
77	-1	+ 5	78	-30"Hg	+ 100
79	-1	+ 9	79	-30"Hg	+ 150
81	-1	+ 15	80	-30"Hg	+ 200
82	-1	+ 24	82	-30"Hg	+ 300
11	0	+ 0.4	11	0	+ 6
12	0	+ 0.6	13	0	+ 10
15	0	+ 1	15	0	+ 15
16	0	+ 1.6	1C	0	+ 20
18	0	+ 2.5	17	0	+ 30
19	0	+ 4	19	0	+ 60
20	0	+ 6	21	0	+ 100
22	0	+ 10	22	0	+ 160
24	0	+ 16	23	0	+ 200
26	0	+ 25	25	0	+ 300
27	0	+ 40	26	0	+ 400
29	0	+ 60	27	0	+ 600
31	0	+ 100	30	0	+ 1000
33	0	+ 160	31	0	+ 1500
35	0	+ 250	34	0	+ 3000
38	0	+ 400	38	0	+ 6000
39	0	+ 600	40	0	+ 10000
41	0	+ 1000	41	0	+ 15000
42	0	+ 1600	1D	0	+ 20000

The MPM6 is not available in codes 41, 42 and 1D.
The MPW6 is not available in codes 29, 30, 31, 33, 34, 35, 38, 39, 40, 41, 42 and 1D.

Codification - MPX6 / MPM6 / MPW6

	MPX6	xxx	xxx
Model	1' digit		
Pressure gauge	M		
Type	2'...3' digit		
MPX	PX		
MPM	PM		
MPW	PW		
Nominal size	4' digit		
Ø 130 mm	6		
Type of fitting and connection position	5' digit		
Bottom connection, back flange	A		
Bottom connection	D		
Back connection, back flange	E		
Back connection	F		
Hydraulic connection	6' digit		
G 1/2	3		
1/2 NPT	6		
Liquid filling	7' digit		
Without	0		
Unit of measurement	8' digit		
bar		B	
kpa		D	
kg/cm ²		F	
psi		H	
Pressure range	9'...10' digit		
see codes in table			xx