



Temperature sensor TEF 020

Sensor fabricated completely in stainless steel

Short response time

Defined position of the cable gland

Different sensor tips Ø 6 mm; Ø 4 mm; Ø 3 mm



Description

The compact designed temperature sensor TEF 020 (screwable) with a M12-plug is used in processes with high hygienic demands (e. g. breweries, dairies, drinking and pharmaceutical industry). The maximum measuring range is -20...150 °C. The standard is a A Pt100-Chip class A in accordance to the DIN

EN 60751 specs. integrated in the sensor housing enabling 2, 3 or 4-wiring techniques. For the measurement conversion to the unified signal 4...20 mA or Profibus PA a programmable transmitter can be installed.



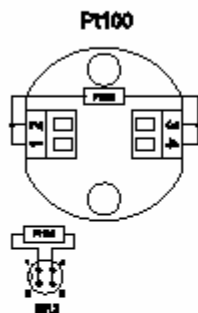
Technical data

Connecting head stainless steel V2A 1.4305; Ø 55 mm	Length 50; 100; 150; 250 mm
Electrical connection cable gland M16; M12-plug	Sensor model 1 x Pt100 class A according to DIN EN 60751
Process connection thread adapter G½", V4A 1.4571; sleeve PM 020	Operating pressure max. 16 bar
Protective pipe stainless steel V4A 1.4571; Ø 6 mm	Head transmitter Programmable; Profibus PA profile V3.0

Selection chart

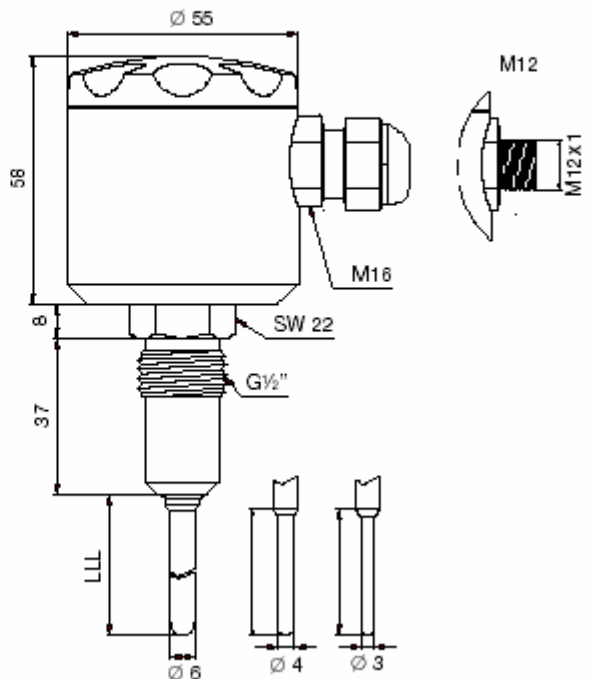
Ordering code	TEF020		Head transmitter	
Longueur installée			P	Programmable
050	50 mm		PA	Profibus PA profile 3.0
100	100 mm			
150	150 mm			
250	250 mm			
Electrical connection			Accessories	
1	cable gland M16		PM 020: Process weld-in sleeve	
2	plug M12			
Sensor tips				
S6	sensor tip Ø 6 mm standard			
S4	sensor tip Ø 4 mm			
S3	sensor tip Ø 3 mm			

Wiring diagram



- 1: brown
- 2: white
- 3: blue
- 4: black

Dimensional drawing



UK/2003-04-01 This data sheet may only be reproduced in full.