



## Temperature sensor TEF 021

Sensor fabricated completely in stainless steel

Compact design

Short response time

M12-plug connection

Different sensor tips  $\varnothing$  6 mm,  $\varnothing$  4 mm,  $\varnothing$  3 mm



### Description

The compact designed temperature sensor TEF 021 (screwable) with a M12-plug is used in processes with high hygienic demands (e. g. breweries, dairies, drinking and pharmaceutical industry). The maximum measuring range is  $-20 \dots +150$  °C. The

standard is a A Pt100-Chip class A in accordance to the DIN EN 60751 specs. integrated in the sensor housing enabling 2, 3 or 4-wiring techniques.



### Technical data

**Connecting head**

stainless steel V2A 1.4305; Ø 55 mm

**Length**

50; 100; 150; 250 mm

**Electrical connection**

M12-plug connection

**Sensor model**

1 x Pt100 class A according to DIN EN 60751

**Process connection**

thread adapter G½", V4A 1.4571; sleeve PM 020

**Operating pressure**

max. 16 bar

**Sensor housing**

stainless steel V4A 1.4571; Ø 6 mm

### Selection chart

Code de commande

TEF021

**Longueur installée**

050	50 mm
100	100 mm
150	150 mm
250	250 mm

**Sensor tips**

S6	sensor tip Ø 6 mm standard
S4	sensor tip Ø 4 mm
S3	sensor tip Ø 3 mm

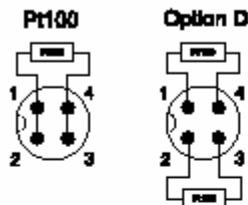
**Electrical connection**

2 plug M12

**Accessories**

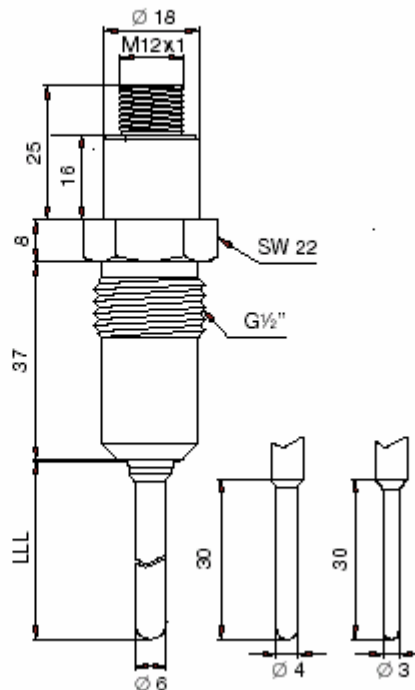
PM 020: Process weld-in sleeve

### Wiring diagram



- 1: brown
- 2: white
- 3: blue
- 4: black

### Dimensional drawing



UK/2008-04-01 This data sheet may only be reproduced in full.