



## Temperature sensor TEF 030

- Sensor fabricated completely in stainless steel**
- Food compatible, metallic sealing system**
- Short response time**
- Defined position of the cable gland**
- Different sensor tips Ø 6 mm, Ø 4 mm, Ø 3 mm**



### Description

The temperature sensor TEF 030 (screwable) with a stainless steel connecting head is used in processes with high hygienic demands (e. g. breweries, dairies, drinking and pharmaceutical industry). The maximum measuring range is -20...150 °C. The standard is a A Pt100-Chip class A in accordance to the

DIN EN 60751 specs. integrated in the sensor housing enabling 2, 3 or 4-wiring techniques. For the measurement conversion to the unified signal 4 ... 20 mA or profibus PA a programmable transmitter can be installed.



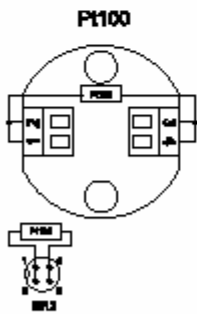
**Technical data**

<b>Connecting head</b> stainless steel V2A 1.4305; Ø 55 mm	<b>Length</b> 50; 100; 150; 250 mm
<b>Electrical connection</b> cable gland M16; M12-plug	<b>Sensor model</b> 1 x Pt100 class A according to DIN EN 60751
<b>Process connection</b> collared sleeve Ø 25 mm; sleeve PM 031	<b>Operating pressure</b> max. 16 bar
<b>Sensor housing</b> stainless steel V4A 1.4571; Ø 6 mm	<b>Head transmitter</b> Programmable; Profibus PA profile V3.0

**Selection chart**

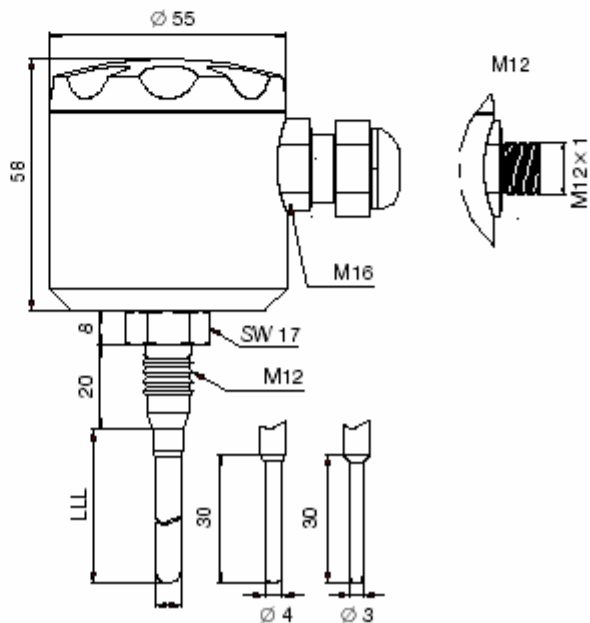
<b>Ordering code</b>	TEF030	
<b>Installation length</b>		<b>Head transmitter</b>
050	50 mm	P Programmable
100	100 mm	PA Profibus PA profile 3.0
150	150 mm	
250	250 mm	
<b>Electrical connection</b>		<b>Accessories</b>
1	cable gland M16	PM 031: Hygenic collared weld-in sleeve
2	plug M12	
<b>Sensor tips</b>		
S6	sensor tip Ø 6 mm standard	
S4	sensor tip Ø 4 mm	
S3	sensor tip Ø 3 mm	

**Wiring diagram**



- 1: brown
- 2: white
- 3: blue
- 4: black

**Dimensional drawing**



UK/2003-04-01 This data sheet may only be reproduced in full.