



Temperature sensor TEF 040

- Sensor fabricated completely in stainless steel**
- Food compatible sealing system with PEEK cone**
- Short response time**
- Defined position of the cable gland**
- Different sensor tips Ø 6 mm; Ø 4 mm; Ø 3 mm**
- Immersion depth is variable**



Description

The adjustable temperature sensor TEF 040 (screwable) with a stainless steel connecting head is used in processes with high hygienic demands (e. g. breweries, dairies, drinking and pharmaceutical industry). The maximum measuring range is -20...150 °C. The standard is a A Pt100-Chip class A in accord-

ance to the DIN EN 60751 specs. integrated in the sensor housing enabling 2, 3 or 4-wiring techniques. For the measurement conversion to the unified signal 4...20 mA or profibus PA a programmable transmitter can be installed.



Technical data

Connecting head

stainless steel V2A 1.4305; Ø 55 mm

Length

50; 100; 150; 250mm

Electrical connection

cable gland M16; M12-plug

Sensor model

1 x Pt100 class A according to DIN EN 60751

Process connection

terminal gland Ø 25 mm; sleeve PM 040

Operating pressure

max. 16 bar

Sensor housing

stainless steel V4A 1.4571; Ø 6 mm

Head transmitter

Programmable; Profibus PA profile V3.0

Selection chart

Ordering code

TEF040

Installation length

050	50 mm
100	100 mm
150	150 mm
250	250 mm

Head transmitter

P	Programmable
PA	Profibus PA profile 3.0

Electrical connection

1	cable gland M16
2	plug M12

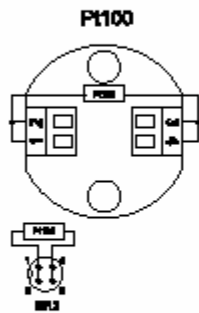
Accessories

PM 131: Hygenic collared weld-in sleeve

Sensor tips

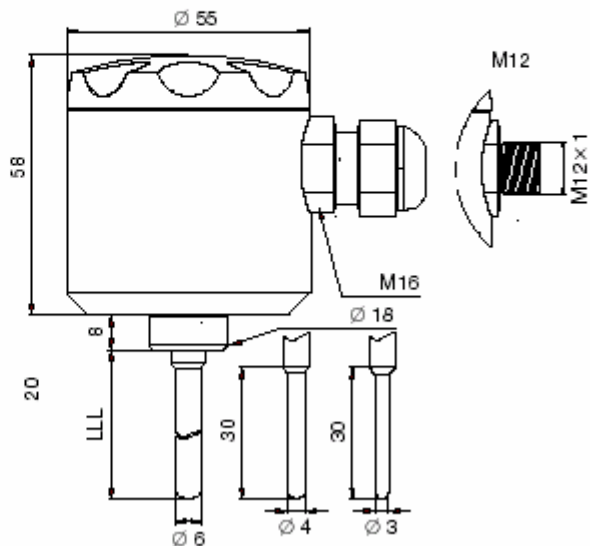
S6	sensor tip Ø 6 mm standard
S4	sensor tip Ø 4 mm
S3	sensor tip Ø 3 mm

Wiring diagram



- 1: brown
- 2: white
- 3: blue
- 4: black

Dimensional drawing



UK/2003-04-01 This data sheet may only be reproduced in full.