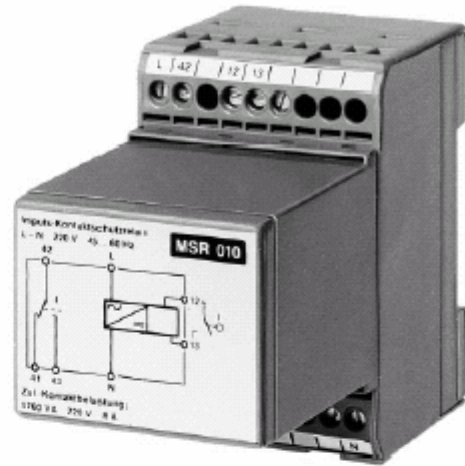




Amplifier with Relay ZEK 030

Supply voltage	220 V AC
Relay output	Center-zero relay, potential-free
Pulse driving voltage	24 V DC (typical) galvanic separation of the net
Electric connection	Screw clamps (connection according to DIN 45 140)
Isolation class protection	C/250 V AC according VDE 0110
Protection	Case IP 40, clamps IP 20 Protective insulation
Case material	Polyamid 6.6, green
Fixation	Screw down with mounting rail or standard mounting rail 35 mm x 7.5 mm DIN 50 052
Accessories	Protective case IP 67 (DIN 40 050) Ordering code J 64 007.0006



Design and Operation designed for electromagnetic contact

The amplifier with relay consists of a supply transformer, a pulse generator, a voltage transformer, an amplifier and an output relay.

It serves to increase the switching capacity and to protect the contact devices.
The signals from the contacts in the control circuit are free from chatter by the timing characteristics.

Selection chart

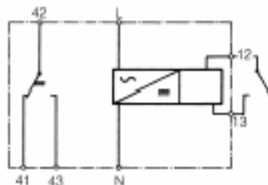
System design	ZEK 030 / xxx.xxx
Case	
Standard	1
Supply voltage	
Standard 220 V AC	1
Regulation	
1 channel neutral relay (MSR 010)	1 111
2 channel neutral relay (MSR 020)	2 211
1 channel, bi-stable (interval) (MSR 011)	3 111

Type	Order no.
ZEK 030/111.111	J 60278.1220
ZEK 030/112.211	J 60279.1220
ZEK 030/113.111	J 60280.1220

Connection schemes

1 channel

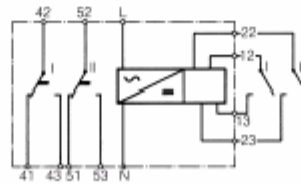
L-N 220 V 45 ... 60 Hz



Admissible breaking capacity:
1760 VA 220 V 8 A

2 channels

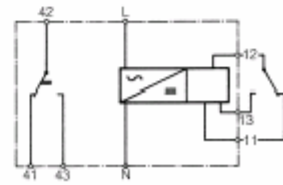
L-N 220 V 45 ... 60 Hz



Admissible breaking capacity:
1760 VA 220 V 8 A

1 channel bi-stable

L-N 220 V 45 ... 60 Hz



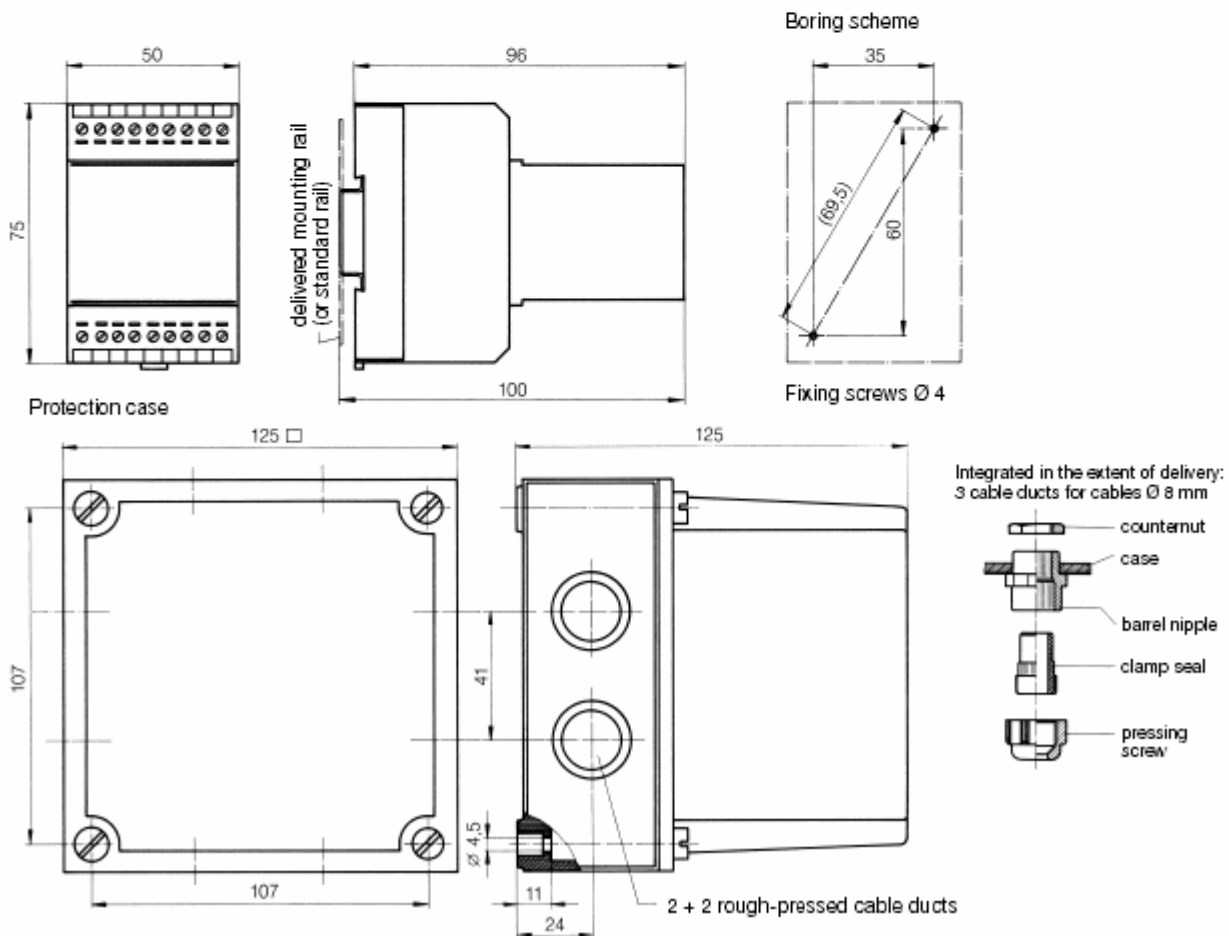
Admissible breaking capacity:
1760 VA 220 V 8 A



Technical Data

Designation	1 channel	2 channels	1 channel bi-stable
Type	ZEK 030/111.111 (MSR 010)	ZEK 030/112.211 (MSR 020)	ZEK 030/113.111 (MSR 011)
Supply voltage		220 V AC, -10%, +15%	
Power consumption		~ 2.5 VA	
Break-make ratio		1 : 100	
Pulsed driving voltage		24 V DC (typical)	
Adm. contact resistance		≤ 5 kΩ	
Pulse duration		250 μs	
Fall-delay time		~ 0.5 s	
Relay output, charge adm.	voltage current power	220 V AC 8 A 1780 VA	
Insulation class (VDE 0110)		C/250 V AC	
Protection class (DIN 40 050)	case clamps	IP 40 IP 20	
Temperature range		0 ... 70°C	
Weight	250 g	280 g	250 g

Dimensions



Material: Polycarbonat grey (RAL 7035)

UK/2003-01-01 This data sheet may only be reproduced in full.